



RCU50



RCU50.1



RCU50.2

Room Temperature Controllers

RCU50...

for CAV and VAV systems

Modulating P-control

DC 0...10 V output for heating or cooling

Automatic heating / cooling changeover (RCU50 and RCU50.1)

Manual heating / cooling changeover (RCU50.2)

Operating modes:

Normal operation, energy saving and standby (RCU50 and RCU50.1)

Operating modes: normal operation and OFF (RCU50.2)

Operating mode selector (RCU50.1)

Active DC 0...10 V input for setpoint shifting (RCU50 and RCU50.1)

Operating mode changeover input for remote control (RCU50 and RCU50.1)

Adjustable minimum limitation for cooling output (RCU50 and RCU50.1)

Operating voltage AC 24 V

Use

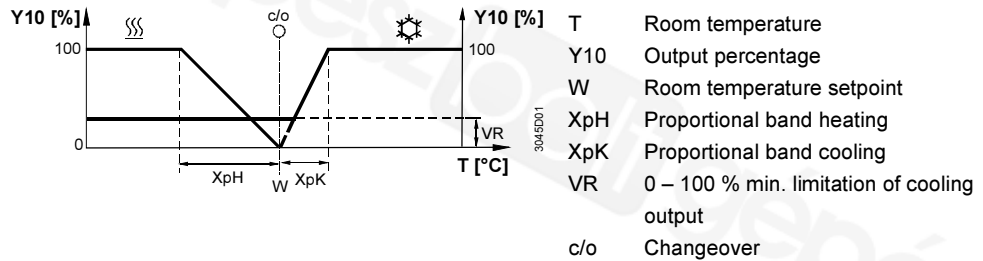
Control of the room temperature in individual rooms of ventilation or air conditioning plants that are heated or cooled. The RCU50... are especially suited for use with VAV systems in connection with VAV compact controllers type GLB181.1E / 3 and GDB181.1E / 3.

For the control of the following pieces of equipment:

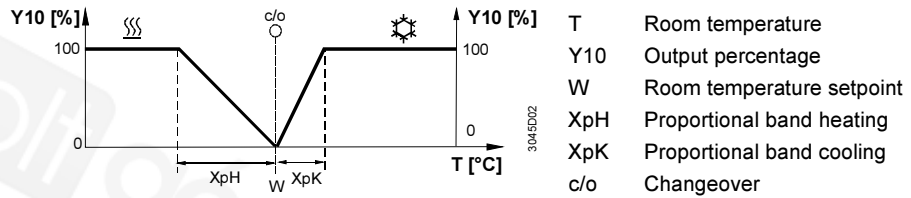
- VAV compact controllers
- Valve actuators
- Air damper actuators

The controller acquires the room temperature with its integrated sensor and maintains the setpoint by delivering DC 0...10 V control commands. The RCU50... provides P-control. With the RCU50 and RCU50.1, the proportional band can be 1 or 4 Kelvin in heating mode and 0.5 or 2 Kelvin in cooling mode (selectable with DIP switch no. 4). With the RCU50.2, the proportional band is fixed, 4 Kelvin in heating mode and 2 Kelvin in cooling mode.

**Function diagram
“Heating-cooling”
with min. limitation
cooling**
RCU50 and RCU50.1



**Function diagram
“Heating-cooling”**
RCU50.2



**Minimum limitation of
cooling signal**
(RCU50 and RCU50.1)

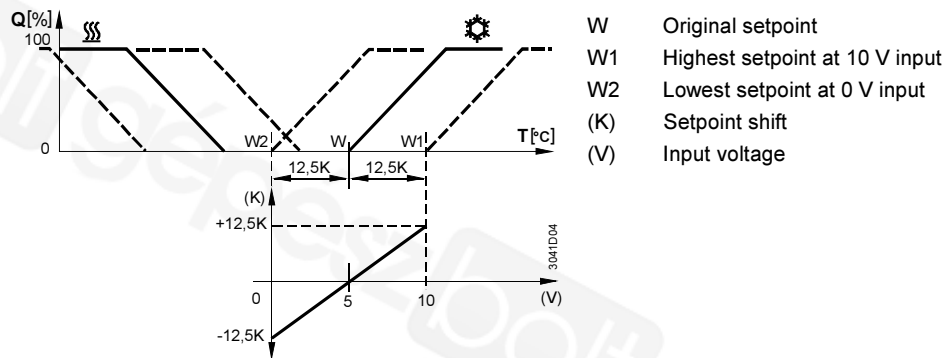
Using the potentiometer at the rear of the controller, the cooling signal output can be limited to a minimum value of between 0 and 100 %. This can be used to ensure a minimum supply air volume. When used in connection with a VAV controller, this setting must be taken into account.

**Inversion of output
signal (RCU50.2)**

With the RCU50.2, the output signal can be inverted with the help of DIP switch no. 1. If set to ON, 0 V corresponds to 0 % travel and 10 V to 100 % travel. In position OFF, 0 V corresponds to 100 % travel and 10 V to 0 % travel.

Setpoint shifting
(RCU50 and RCU50.1)

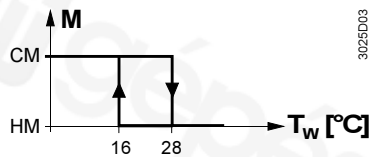
Signal input B1-M is used for outside temperature compensation. Using a DC 0...10 V signal, the setpoint can be shifted by +/- 12.5 Kelvin. The neutral position is at DC 5 V and means no setpoint shift.



The setpoint shift is limited within the range of the unit of 8 °C (frost protection) to 30 °C.

Automatic changeover
(RCU50 and RCU50.1)

The water temperature acquired by the changeover sensor (QAH11.1 + ARG86.3) is used by the controller to switch from heating to cooling mode, or vice versa. When the water temperature lies above 28 °C, the controller switches to heating mode, below 16 °C it switches to cooling mode.



- CM Cooling mode
- HM Heating mode
- M Operating mode
- T_w Water temperature

Energy saver

The room temperature setpoint can be limited in increments of 1 Kelvin by making use of the minimum and maximum limitation facility. Arbitrary setpoint readjustments can thus be prevented.

Operating modes

The following operating modes are available:

Normal operation

Normal operation is activated when the operating mode selector is set to "☀" (RCU 50.1) and the external operating mode changeover switch is not activated. In normal operation, the controller maintains the adjusted setpoint.

Frost protection mode
(RCU50 and RCU50.1)

Frost protection mode can be activated either

- by manually switching to standby "☾" (RCU50.1)
- by activating the external operating mode changeover switch, provided DIP switch no. 1 is set to OFF

If the room temperature falls below 8 °C, the controller will automatically switch to frost protection mode. In that case, the heating valve opens and the room temperature is maintained at a setpoint of 8 °C. The setpoint adjusted by the user will be ignored.

Energy saving mode

Energy saving mode can be activated either

- by manually switching to energy saving mode "☾" (RCU50.1)
- by activating the external operating mode changeover switch, provided DIP switch no. 1 is set to ON

In energy saving mode, the setpoint of heating is 16 °C and the setpoint of cooling 28 °C, independent of the position of the setpoint knob.

Operating mode changeover switch
(RCU50 and RCU50.1)

A changeover switch can be connected to status input D1–GND. When the switch closes its contact (caused by an open window, for instance), the operating mode will change from normal operation or standby to energy saving mode (provided DIP switch no. 1 is set to ON), or from normal operation or energy saving mode to standby (provided DIP switch no. 1 is set to OFF).

The operating action of the switch (N.C. or N.O.) can be selected.

Type summary

Type reference

Features

RCU50

Without operating mode selector

RCU50.1

With operating mode selector

RCU50.2

With manual heating / cooling changeover switch

Ordering

When ordering, please give name and type reference, e.g. room temperature controller RCU50.

Temperature sensor, changeover mounting kit, VAV compact controller and valve and damper actuators are to be ordered as separate items.

Equipment combinations

| Type of unit | Type reference | Data sheet |
|---------------------------------------|--|--------------------------------------|
| Temperature sensor | QAH11.1 | 1840 |
| Changeover mounting kit | ARG86.3 | 1840 |
| VAV compact controller | GDB181.1E/3 GLB181.1E/3 | 3544 |
| Motoric actuator (radiator valve) | SSA61... | 4893 |
| Motoric actuator (small valve 2,5 mm) | SSP61... | 4864 |
| Motoric actuator (small valve 5,5 mm) | SSB61... | 4891 |
| Motoric actuator (valve 5,5 mm) | SSC61... | 4895 |
| Motoric actuator (valve 5,5 mm) | SQS65... | 4573 |
| Air damper actuator | GDB161.1E GLB161.1E GCA161.1E GBB161.1E GIB161.1E | 4634 4634 4613 4626 4626 |

Mechanical design

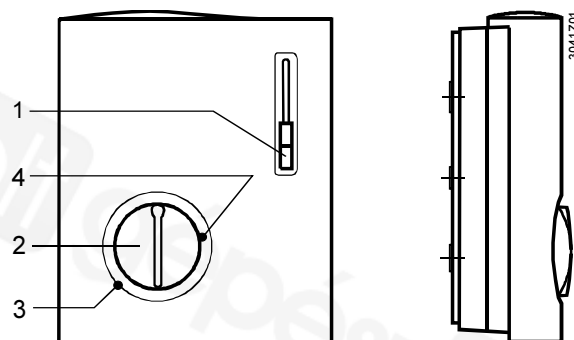
The unit consists of two parts:

- A plastic housing which accommodates the electronics, the operating elements and the built-in room temperature sensor
- A mounting base

The housing engages in the mounting base and snaps on.

The base carries the screw terminals. The DIP switches and the potentiometer are located at the rear of the unit.

Operating and setting elements



Legend

- 1 Operating mode selector (RCU50.1)
(normal operation, energy saving mode and standby)
Switch for manual heating / cooling changeover (RCU50.2)
(heating mode, OFF, cooling mode)
- 2 Room temperature setpoint knob
- 3 Setting facility for minimum setpoint limitation (in increments of 1 Kelvin)
- 4 Setting facility for maximum setpoint limitation (in increments of 1 Kelvin)

Set of DIP switches of RCU50 and RCU50.1

| DIP switch no. | Meaning | Position ON | Position OFF |
|----------------|---|--|---|
| 1 | Operating mode changeover via external switch | Changeover from normal operation or standby to energy saving mode | Changeover from normal operation or energy saving to standby ¹⁾ |
| 2 | Operating action of switch for external operating mode changeover | Changeover activated when contact of switch is closed (N.O.) ¹⁾ | Changeover activated when contact of switch is open (N.C.) |
| 3 | Standby | OFF | Frost protection mode (heating output ON at a setpoint of 8 °C) ¹⁾ |
| 4 | P-band | 1 K in heating mode 0.5 K in cooling mode | 4 K in heating mode ¹⁾ 2 K in cooling mode ¹⁾ |
| 5 | Cooling signal output in energy saving mode | Active | Inactive ¹⁾ |

1) Factory setting

Set of DIP switches of RCU50.2

| DIP switch no. | Meaning | Position ON | Position OFF |
|----------------|------------------------------|---|---------------------------|
| 1 | Signal inversion DC 0...10 V | Output signal DC 0...10 V ¹⁾ | Output signal DC 10...0 V |

1) Factory setting

Accessories

| Description | Type reference |
|--|----------------|
| Adapter plate 120 x 120 mm for 4" x 4" conduit boxes | ARG70 |
| Adapter plate 96 x 120 mm for 2" x 4" conduit boxes | ARG70.1 |
| Adapter plate for surface wiring 112x130 mm | ARG70.2 |

Notes

In systems without automatic changeover, the temperature sensor can be replaced by an external switch for manual changeover.

In systems with continuous heating operation, no sensor will be connected to the controller's input.

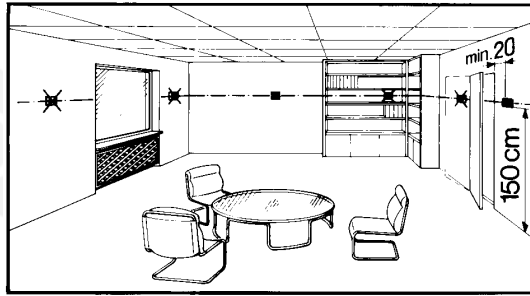
With continuous cooling operation, the controller input (B2-M) must be bridged.

Check the settings of DIP switches no. 1 through no. 5 and of the potentiometer of the RCU50 / RCU50.1 and of DIP switch no. 1 of the RCU50.2 and change them, if required. If setpoint limitation is required, use the minimum and maximum limitation facility (energy saver).

After applying power, the controller makes a reset, which takes about 3 seconds. Then, it will be ready to operate.

The controller is supplied with Mounting Instructions.

Mounting location: on a wall of the room to be conditioned. Not in niches or bookshelves, not behind curtains, above or near heat sources and not exposed to direct solar radiation. Mounting height is about 1.5 m above the floor. The connecting wires can be run to the controller from a recessed conduit box.



Only authorized personnel may open the controller.

Mounting, installation and commissioning

When mounting the unit, fix the baseplate first. Then, make the electrical connections and fit and secure the cover.


The controller must be mounted on a flat wall and in compliance with local regulations. If there are thermostatic radiator valves in the reference room, they must be set to their fully open position.

Maintenance

The room controller is maintenance-free.

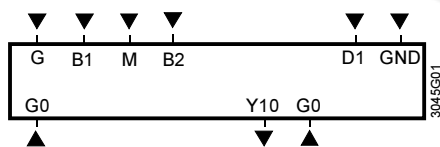
Technical data

| | | |
|---|---|-----------------------------|
| Power supply | Operating voltage | AC 24 V \pm 20 % |
| | Frequency | 50/60 Hz |
| | Power consumption | max. 6 VA |
| Functional data | Setpoint setting range | 8...30 °C |
| | Max. control deviation at 25 °C | max. \pm 0.7 K |
| | P-band in heating mode | |
| | RCU50 and RCU50.1 (selectable) | 1 K or 4 K |
| | RCU50.2 (fixed) | 4 K |
| | P-band in cooling mode | |
| | RCU50 and RCU50.1 (selectable) | 0.5 K or 2 K |
| | RCU50.2 (fixed) | 2 K |
| | Setpoint «Energy saving mode C » heating | 16 °C |
| | Setpoint «Energy saving mode C » cooling | 28 °C |
| | Setpoint frost protection | 8 °C |
| | Setpoint shift temperature | \pm 12.5 K |
| | Control output Y10 | |
| | Voltage | DC 0...10 V |
| | Current | \pm 1 mA |
| Status input D1 and GND (RCU50 / 50.1) | | |
| Contact sensing | DC 6-15 V / 3-6 mA | |
| Status input B1 (RCU50 / 50.1) | | |
| Setpoint shift of 12.5 K | DC 0...10 V | |
| Neutral position (no setpoint shift) | DC 5 V | |
| Changeover- status input B2 | QAH11.1, safety class II NTC resistor 3 k Ω at 25°C | |
| Max. cable length with copper cable 1.5 mm ² | | |
| For signal input B1 / B2 (RCU50 / 50.1) | 80 m | |
| For signal input D1 (RCU50 / 50.1) | 80 m | |
| Environmental conditions | Operation | |
| | Climatic conditions | to IEC 721-3-3 class 3K5 |
| | Temperature | 0...+50 °C |
| | Humidity | <95 % r.h. |

| | | |
|--|--------------------------------|---|
| Norms and standards | Transport | to IEC 721-3-2 |
| | Climatic conditions | class 2K3 |
| | Temperature | -25...+70 °C |
| | Humidity | <95 % r.h. |
| | Mechanical conditions | class 2M2 |
| | Storage | to IEC 721-3-1 |
| | Climatic conditions | class 1K3 |
| | Temperature | -25...+70 °C |
| | Humidity | <95 % r.h. |
| | CE conformity to EMC directive | |
|  ^{N474} C-Tick conformity to EMC emission standard | | AS/NSZ 4251.1:1994 |
| Electromagnetic compatibility | Emissions | EN 50 081-1 |
| | Immunity | EN 50 082-1 |
| Safety class | | III to EN 60 730 |
| Pollution class | | normal |
| Degree of protection of housing | | IP30 to EN 60 529 |
| General | Connection terminals | Use solid wires or prepared stranded wires. 2 x 0.4-1.5 mm ² or 1 x 2.5 mm ² |
| | Weight | |
| | RCU50 | 0.22 kg |
| | RCU50.1 | 0.23 kg |
| | RCU50.2 | 0.23 kg |
| | Colour of housing front | white, NCSS0502-G (RAL9003) |

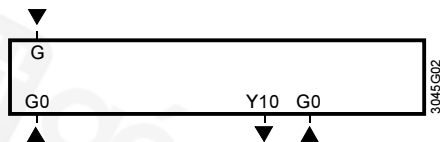
Connection terminals

RCU50 and RCU50.1



- G, G0 Operating voltage AC 24 V
- B1 Signal input "Setpoint shift"
- B2 Signal input "Changeover sensor"
- M Measuring neutral "Setpoint shift" and "Changeover sensor"
- D1,GND Signal input for potential-free operating mode changeover switch
- Y10/G0 Control signal DC 0...10 V

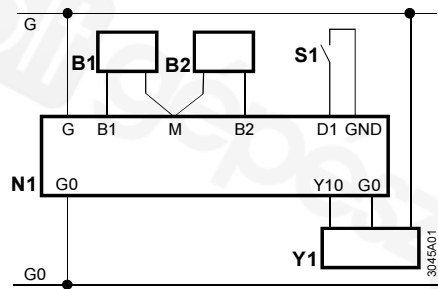
RCU50.2



- G, G0 Operating voltage AC 24 V
- Y10/G0 Control signal DC 0...10 V

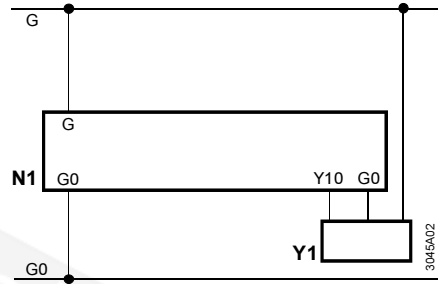
Connection diagram

RCU50 and RCU50.1



- N1** Room temperature controller
- S1** External operating mode changeover switch
- B1** Setpoint shift (outside temperature compensation)
- B2** Changeover sensor for automatic heating/cooling changeover
- Y1** VAV/CAV system

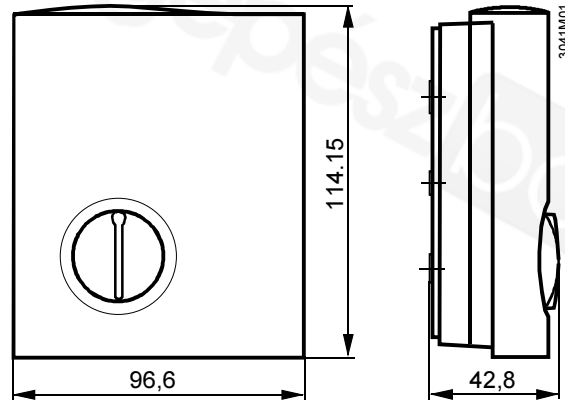
RCU50.2



- N1** Room temperature controller
- Y1** VAV/CAV system

Dimensions

Controller



Baseplate

