



RDG400KN



RDG405KN

Room thermostats with KNX communications

RDG400KN RDG405KN

For VAV heating and cooling systems
For room temperature and indoor air quality control

- KNX bus communications (S- and LTE-Mode)
- Backlit display
- PI/P control
- Output for VAV box/air damper: DC 0...10 V/3-position/KNX LTE-Mode
- Output for heating/cooling coil: On/Off, PWM or 3-position/DC 0...10 V
- Output signal inversion as an option (DC 0...10 V → DC 10...0 V)
- 2 multifunctional inputs for keycard contact, external sensor, etc.
- 1 DC 0...10 V input for external sensor or feedback of air damper position
- Operating modes: Comfort, Economy and Protection
- Control depending on room or return air temperature
- Optimized operation of supply air fan: Input DC 0...10 V for feedback of air damper position
- Automatic or manual heating/cooling changeover
- Minimum and maximum limitation of room temperature setpoint
- Minimum and maximum limitation of air flow signal
- Adjustable commissioning and control parameters
- Commissioning with Synco ACS790, ETS or via local HMI
- Integration into Synco; integration into Desigo via group addressing (ETS) or individual addressing
- Integration into third-party system via group addressing (ETS)
- Indoor air quality (IAQ) control loop with external CO₂ sensor (DC 0...10 V or KNX LTE- and S-Mode) (RDG405KN)
- Operating voltage AC 24 V
- Interworking with KNX CO₂/temperature sensors (LTE- and S-Mode)

The RDG40..KN room thermostats are designed for the following types of system:

VAV systems via On/Off or modulating control outputs or KNX LTE-Mode:

- Single-duct system
- Single-duct system with electric heater
- Single-duct system and radiator/floor heating
- Single-duct system with heating/cooling coil

The room thermostats are delivered with a fixed set of applications.

The required application is selected and activated during commissioning using one of the following tools:

- Synco ACS
- ETS
- Local DIP switch and HMI


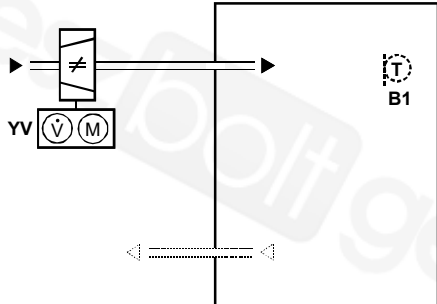
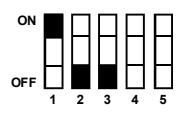
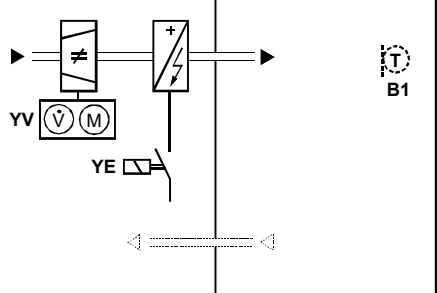

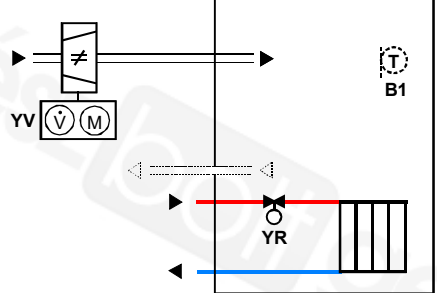
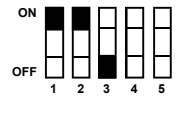
Functions

- Room temperature control via built-in temperature sensor or external room temperature/return air temperature sensor
- Indoor air quality control via external CO₂ sensor (DC 0...10 V, KNX LTE- or S-Mode) (RDG405KN)
- Changeover between heating and cooling mode (automatically via local sensor or bus, or manually)
- Selection of applications via DIP switches or commissioning tool (ACS790, ETS)
- Parameter download with commissioning tool (ACS, ETS)
- Selection of operating mode via operating mode button on the thermostat
- Temporary Comfort mode extension
- Minimum and maximum limitation of room temperature setpoint
- Minimum and maximum limitation of air flow signal (selectable via ETS)
- External CO₂ sensor, DC 0...10 V; 0...2000 ppm (RDG405KN)
- External CO₂ sensor, KNX; 0...5000 ppm (RDG405KN)
- Button lock (automatic or manual)
- 2 multifunctional inputs, freely selectable for:
 - Operating mode switchover contact (keycard, window contact, etc.) (RDG400KN)
 - Window contact switches operating mode to Protection (RDG405KN)
 - Presence detector switches operating mode to Comfort (RDG405KN)
 - Changeover sensor for automatic heating/cooling mode
 - External room temperature or return air temperature sensor
 - Dewpoint sensor
 - Electric heater enable
 - Faults
 - Monitor input for temperature sensor or switch status
- 1 input DC 0...10 V for external sensor and feedback of air damper position
- Optimization of pressure control using ...
 - feedback of air damper position and current air flow value via KNX bus,
 - or feedback of air damper position via DC 0...10 V input
- Floor heating temperature limit
- Reloading factory settings for commissioning and control parameters
- KNX bus (terminals CE+ and CE-) for communication with Synco or KNX compatible devices
- Display of outside temperature or time of day via KNX bus

- Display of current room temperature or setpoint in °C and/or °F
- Display of CO₂ external sensor value in ppm or with symbols (+++, ++-, +--) (RDG405KN)
- Time scheduling and central control of setpoints via KNX bus
- RMB7../RMU7.. controller (signal exchange over KNX) using ...
 - the air demand signal of the thermostat to optimize the supply air temperature,
 - the energy demand signals of the heating/cooling equipment to optimize the supply of energy,
 - the feedback of the air damper position (DC 0...10 V or KNX) to optimize operation of the supply air fan

Applications

The thermostat supports the following applications, which can be configured using the DIP switches at the rear of the unit or a commissioning tool. DIP switches 1...5 need to be set to OFF (remote configuration, factory setting) to select an application via commissioning tool.

| Application | DIP switches |
|--|---|
| Remote configuration Via commissioning tool (factory setting) <ul style="list-style-type: none"> • Synco ACS • ETS | ON  OFF |
| Single-duct <ul style="list-style-type: none"> • DC 0...10 V damper actuator (P47 = 0) • 3-position damper actuator (P47 = 1) • VAV compact controller with KNX LTE-Mode  | ON  OFF |
| Single-duct with electric heater <ul style="list-style-type: none"> • DC 0...10 V damper actuator and On/Off, PWM or 3-position electric heater (P47 = 0) • 3-position damper actuator and DC 0...10 V electric heater (P47 = 1) • VAV compact controller with KNX LTE-Mode and electric heater  | ON  OFF |
| Single-duct and radiator/floor heating <ul style="list-style-type: none"> • DC 0...10 V damper actuator and On/Off, PWM or 3-position radiator (P47 = 0) • 3-position damper actuator and DC 0...10 V radiator (P47 = 1) • VAV compact controller with KNX LTE-Mode and radiator  | ON  OFF |

Single-duct heating and cooling coil

- DC 0...10 V damper actuator and On/Off, PWM or 3-position heating and cooling (P47 = 0)
- 3-position damper actuator and DC 0...10 V heating and cooling (P47 = 1)
- VAV compact controller with KNX LTE-Mode and heating/cooling coil

- Note
- P47 is used to change air damper output from DC 0...10 V (factory setting) to 3-position
 - P46 is used to change valve output from On/Off (factory setting) to PWM
 - DIP switch 4 is used to change output of Y10 from DC 0...10 V to DC 10...0 V
 - DIP switch 5 is used to change valve output from On/Off to 3-position

Type summary

| Product No. | Features | | | | | | | Backlit LCD |
|-------------|-------------------|---------------------------|-----------------|-----------------|-------------|------------------------------|-----|-------------|
| | Operating voltage | Number of control outputs | | | | VAV control via KNX LTE-Mode | IAQ | |
| | | On/Off | PWM | 3-pos. | DC 0...10 V | | | |
| RDG400KN | AC 24 V | 1 ¹⁾ | 1 ¹⁾ | 1 ¹⁾ | 1 | ✓ | --- | ✓ |
| RDG405KN | AC 24 V | 1 ¹⁾ | 1 ¹⁾ | 1 ¹⁾ | 1 | ✓ | ✓ | ✓ |





¹⁾ Selectable: On/Off, PWM or 3-position (triac outputs)













Ordering

| Product No. | Stock No. | Description |
|-------------|-------------|-----------------|
| RDG400KN | S55770-T165 | Room thermostat |
| RDG405KN | S55770-T346 | Room thermostat |

Order valve actuators separately.

Equipment combinations

| Sensors | Type of unit | Product No. | Data Sheet |
|---------|---|---|-------------|
| | Cable temperature sensor  | QAH11.1 | 1840 |
| | Room temperature sensor  | QAA32 | 1747 |
| | Condensation monitor  | QXA21.. | A6V10741072 |
| | Flush-mount KNX room sensor (base and front module)  | AQR2576N.. AQR2532NNW AQR2530NNW AQR2532NNW AQR2535NNWQ | 1411 |

| | | | | |
|---|---|---|--|--------------|
| | Wall-mount KNX sensor |  | QMX3.P30 QMX3.P70 | 1602 |
| Valve actuators DC 0...10 V | Electric actuator, DC 0...10 V (for radiator valves) |  | SSA61.. | 4893 |
| | Electric actuator, DC 0...10 V (for 2- and 3-port valves/V..P45) |  | SSC61.. | 4895 |
| | Electric actuator, DC 0...10 V (for small valves 2.5 mm V..P47) |  | SSP61.. | 4864 |
| | Electric actuator, DC 0...10 V (for small valves 5.5 mm V..P45) |  | SSB61.. | 4891 |
| | Electric actuator, DC 0...10 V (for CombiValves VPI46) |  | SSA61.. | 4893 |
| | Electromotoric actuator, DC 0...10 V (for valves 5.5 mm) |  | SAS61.. | 4581 |
| | Thermal actuator, DC 0...10 V (for small valves and radiator valves) |  | STP63 | 4884 |
| Damper actuators DC 0...10 V and 3-position, VAV compact controllers | Damper actuator DC 0...10 V, damper actuator 3-position |  | GQD161.. GQD131.. | 4605 |
| | |  | GDB161.. GDB131.. GLB161.. GLB131.. | 4634 |
| | |  | GMA161.. GMA131.. GEB161.. GEB131.. | 4614 4621 |
| | |  | GCA161.. GCA131.. GBB161.. GBB131.. GIB161.. GIB131.. | 4613 4626 |
| | VAV compact controller |  | GDB181.1E/3 GLB181.1E/3 | 3544 |

VAV compact controllers
KNX LTE-Mode

VAV compact controller
for KNX LTE-Mode



GDB181.1E/KN

GLB181.1E/KN

3547

On/Off valve actuators
AC 24 V

Electromotoric On/Off valve and actuator
(only available in AP, UAE, SA and IN)



MVI../MXI..

4867

Electromotoric On/Off actuator



SFA71..

4863

On/Off/PWM valve actuators
AC 24 V*

Thermal actuator (for radiator valves)



STA73..

4884

Thermal actuator
(for small valves 2.5 mm)



STP73..

4884

3-position valve actuators
AC 24 V

Electric actuator, 3-position
(for radiator valves)



SSA81..

4893

Electric actuator, 3-position
(for small valves 2.5 mm V..P47)



SSP81..

4864

Electric actuator, 3-position
(for small valves 5.5 mm V..P45)



SSB81..

4891

Electric actuator, 3-position
(for CombiValves VPI46)



SSA81..

4893

Electromotoric actuator, 3-position
(for valves 5.5 mm)



SAS81..

4581

* With PWM control, it is not possible to ensure exact parallel running of more than one thermal actuator. If several actuators are controlled by the same room thermostat, preference should be given to motorized actuators with On/Off or 3-position control

Note

For more information about parallel operation and the maximum number of actuators that can be used, refer to the Data Sheets of the selected type of actuator and the following listing:

Maximum number of actuators in parallel operation in connection with RDG400KN and RDG405KN:

- 6 actuators S..81 (3-position)
- 4 actuators ST..73 (On/Off)
- 4 actuators SFA.., MVI.., MXI.. (On/Off)
- 10 damper actuators G..16.. DC
- 6 damper actuators G..13.. (3-position)

Accessories

| Description | Product No./stock No. | Data Sheet ^{*)} |
|--|-----------------------|--------------------------|
| KNX power supply unit 160 mA (Siemens BT LV) | 5WG1 125-1AB02 | -- |
| KNX power supply unit 320 mA (Siemens BT LV) | 5WG1 125-1AB12 | -- |
| KNX power supply unit 640 mA (Siemens BT LV) | 5WG1 125-1AB22 | -- |

*) Documents can be downloaded from <http://siemens.com/bt/download>

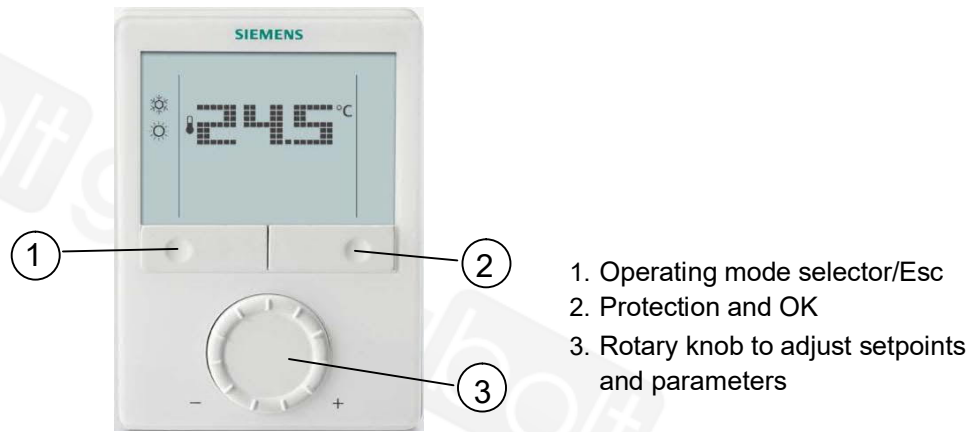
Mechanical design

The room thermostat consists of 2 parts:

- Plastic housing with electronics, operating elements and room temp. sensor
- Mounting plate with screw terminals

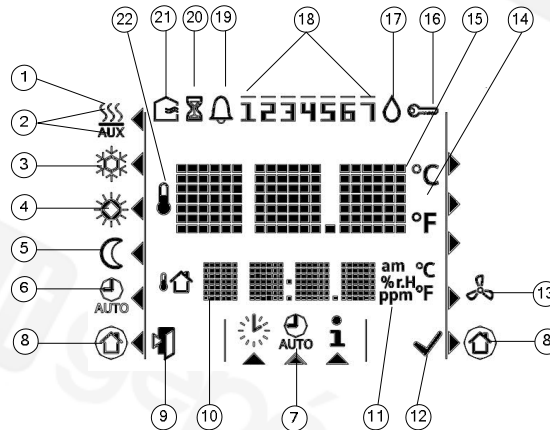
The housing engages in the mounting plate and is secured with 2 screws.

Operation and settings



Display

RDG400KN
RDG405KN

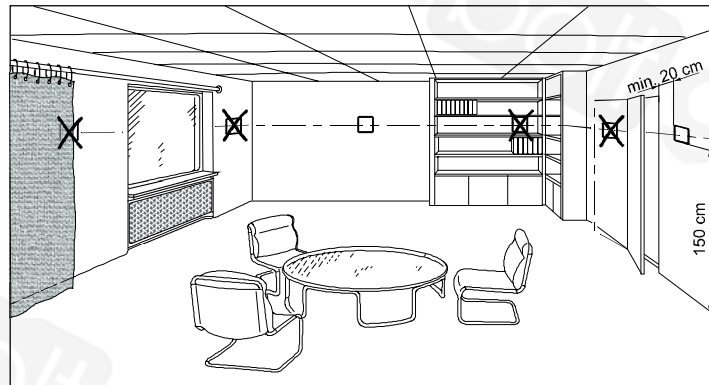


| # | Symbol | Description | # | Symbol | Description |
|----|--------|---|----|--------|--|
| 1 | | Heating mode | 13 | | Primary fan active (only supported with Synco700 primary controller) |
| 2 | | Heating mode, electric heater active | 14 | | Degrees Celsius Degrees Fahrenheit |
| 3 | | Cooling mode | 15 | | Digits for room temperature and setpoint display |
| 4 | | Comfort | 16 | | Button lock active |
| 5 | | Economy | 17 | | Condensation in the room (dewpoint sensor active) |
| 6 | | Auto Timer mode according to schedule (via KNX) | 18 | | Weekday 1...7 from KNX bus 1 = Monday/7 = Sunday |
| 7 | | | | | |
| 8 | | Protection mode | 19 | | Fault |
| 9 | | Escape | 20 | | Temporary timer function; visible when operating mode is temporarily extended (extended presence or absence) |
| 10 | | Additional user information, like outside temperature or time of day from KNX bus; selectable via parameters | 21 | | Fresh air (RDG405KN) |
| 11 | | am and pm: Real time clock in either 24-hour or 12-hour (am/pm) mode ppm: CO ₂ external sensor value (RDG405KN) | 22 | | Indicates that room temperature is displayed |
| 12 | | Confirmation of parameters | | | |

See "Reference documentation" below for information on how to engineer the KNX bus (topology, bus repeaters, etc.) and how to select and size connecting cables for power supply and field devices.

Mounting and installation

Do not mount on a wall in niches or bookshelves, behind curtains, above or near heat sources, or exposed to direct solar radiation. Mount about 1.5 m above the floor.



Mounting



- Mount the room thermostat on a clean, dry indoor place without direct air flow from a heating/cooling device, and not exposed to drip or splash water

Wiring

See Mounting Instructions M3192 (RDG400KN) or A6V10733804 (RDG405KN) enclosed with the thermostat.



- Comply with local regulations to wire, fuse and earth the thermostat
- Power supply line must have a circuit breaker with a rated current of no more than 10 A



- Isolate the cables of inputs X1-M, U1-G0 and D1-GND for 230 V if the conduit box carries AC 230 V mains voltage
- Inputs X1-M or D1-GND: Several switches (e.g. summer/winter switch) may be connected in parallel. Consider overall maximum contact sensing current for switch rating



- Isolate the cables of KNX communication input CE+/CE- for 230 V if conduit box carries AC 230 V mains voltage



- Disconnect the unit from power supply before removing it from its mounting plate
- If a KNX bus power supply is connected to the line with communicating thermostats and a Synco controller, the internal KNX power supply of the Synco controller must be switched off

Commissioning notes

Applications

The room thermostats are delivered with a fixed set of applications.

Select and activate the required application during commissioning using one of the following tools:

- Local DIP switch and HMI
- Synco ACS
Version 5.11 or higher (for RDG400KN)
Version 10.03 or higher (for RDG405KN)
- ETS

Set the DIP switches before snapping the unit to its mounting plate, if you want to select an application via DIP switches.

All DIP switches must be set to OFF (remote configuration), if you want to select an application via commissioning tool.

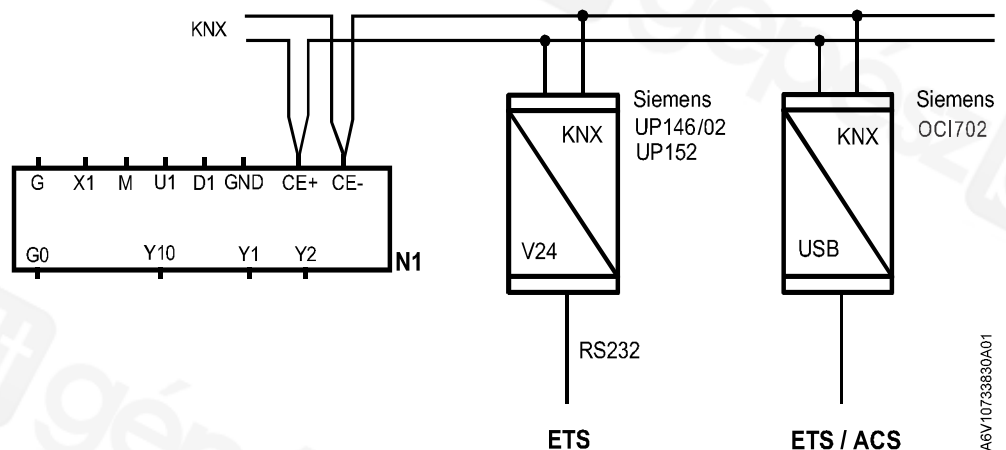
After power is applied, the thermostat resets and all LCD segments flash, indicating that the reset was made correctly. After the reset, which takes about 3 seconds, the thermostat is ready for commissioning by qualified HVAC staff.

If all DIP switches are set to OFF, the display reads **NO APPL** to indicate that application commissioning via tool is required.

Note Each time the application is changed, the thermostat reloads the factory settings for all control parameters, except for KNX device and zone addresses!

Connect tool

For commissioning, connect the Synco ACS or ETS tool to the KNX bus cable at any point:



ACS and ETS3 require an interface:

- RS232 KNX interface (e.g. Siemens UP146/02, UP152)
- OCI702 USB-KNX interface

Note An external KNX bus power supply is required if an RDG.. is connected directly to a tool (ACS or ETS) via KNX interface.

| | |
|---|---|
| Control parameters | <p>The thermostat's control parameters can be changed to ensure optimum performance of the entire system (see Basic Documentation P3192). The parameters can be adjusted using ...</p> <ul style="list-style-type: none"> – the local HMI – Synco ACS – ETS |
| Control sequence | <ul style="list-style-type: none"> • The control sequence may need to be set via P01 depending on the application. The factory setting is "Cooling only" |
| Calibrating the sensor | <ul style="list-style-type: none"> • Recalibrate the temperature sensor if the room temperature displayed on the thermostat does not match the room temperature measured (after min. 1 hour of operation). To do this, change P05 |
| Setpoint and setpoint range limitation | <ul style="list-style-type: none"> • We recommend to review the setpoints and setpoint ranges (P08...P12) and to change them as needed to ensure maximum room comfort and to save energy |
| Programming mode | <p>The programming mode helps identify the thermostat in the KNX network during commissioning.</p> <p>Press the left and right buttons simultaneously for 6 seconds to activate programming mode, which is indicated on the display with PrOg. Programming mode remains active until identification of the thermostat is complete.</p> |
| Assigning the KNX device address | <p>Assign the device address (P81) via HMI, ACS or ETS.</p> <p>To deactivate communication, set the device address to 255 (no exchange of process data).</p> |
| Assigning the KNX group addresses | <p>Use ETS to assign the KNX group addresses of the RDG communication objects.</p> |
| KNX serial number | <p>Each device has a unique KNX serial number inside the plastic housing. An additional sticker with the same KNX serial number is enclosed in the packaging box. This sticker is intended for installers for documentation purposes.</p> |



Disposal




The device is considered electrical and electronic equipment for disposal in terms of the applicable European Directive and may not be disposed of as domestic garbage.

- Dispose of the device through channels provided for this purpose.
- Comply with all local and currently applicable laws and regulations.

Technical data

| | | |
|--|--|--|
|  Power supply | Operating voltage | SELV AC 24 V \pm 20% |
| | Rated voltage | AC 24 V |
| | Frequency | 50/60 Hz |
| | Power consumption | Max. 2 VA/1 W |
|  | No internal fuse! In all cases, external preliminary protection with a circuit breaker max. C 10 A is required | |
| | Control output Y10-G0 | DC 0...10 V |
| | Resolution | 39 mV |
| | Current | Max. \pm 1 mA |
| Outputs | Control output Y1, Y2-G | AC 24 V |
| | Rating | Max. 1 A |
| | Power limitation | 3 A fast microfuse (cannot be exchanged) |
| Inputs | Multifunctional inputs | |
| | X1-M | |
| | Temperature sensor input | |
| | Type | QAH11.1 (NTC) |
| | Temperature range | 0...49 °C (32...120°F) |
| | Cable length | Max. 80 m |
| | Digital input | |
| | Operating action | Selectable (NO/NC) |
| | Contact sensing | DC 0...5 V, max. 5 mA |
| | Parallel connection of several thermostats for one switch | Max. 20 thermostats per switch. Do not mix with D1! |
| | U1-G0 | |
| | Input for actual damper position feedback | DC 0...10 V, max. 0.3 mA |
| | damper position 0% (fully closed) | 0...100% |
| | 100% (fully open) | |
| | Input for external CO ₂ sensor (RDG405KN) | DC 0...10 V, max. 0.3 mA 0... 2000 ppm |
| D1-GND | | |
| Operating action | Selectable (NO/NC) | |
| Contact sensing | SELV DC 6...15 V, 3...6 mA | |
| Parallel connection of several thermostats for one switch | Max. 20 thermostats per switch. Do not mix with X1! | |
| Function of inputs | | Selectable |
| External temperature sensor, heating/cooling changeover sensor, operating mode switchover contact, dewpoint monitor contact, enable electric heater contact, fault contact, monitoring input | X1: P38 D1: P42 | |
| KNX bus | Interface type | KNX, TP1-64 (galvanically separated) |
| | Bus current | 5 mA |
| | Bus topology: Refer to KNX Manual (see reference documentation listed below) | |

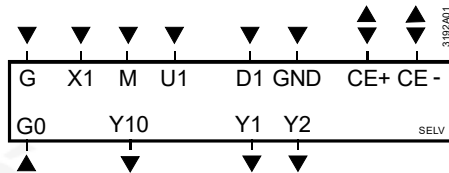
| | | |
|--|--|--|
| Operational data | Switching differential, adjustable | |
| | Heating mode | (P30) 2 K (0.5...6 K) |
| | Cooling mode | (P31) 1 K (0.5...6 K) |
| | Setpoint setting and setpoint range | |
| | ☀ Comfort | (P08) 21 °C (70 °F) (5...40 °C) (41...104 °F) |
| | Ⓢ Economy | (P11...P12) 15 °C (59 °F)/30 °C(86 °F) (OFF, 5...40 °C) |
| | Ⓢ Protection | (P65...P66) 8 °C (64 °F)/OFF (OFF, 5...40 °C) |
| | Multifunctional inputs X1, D1 | |
| | Input X1 default value | (P38) 1 (ext. temperature sensor, room or return air) |
| | Input D1 default value | (P42) 3 (operating mode switchover) |
| Environmental conditions | Built-in room temperature sensor | |
| | Measuring range | 0...49 °C (32...120 °F) |
| | Accuracy at 25 °C (after calibration via P05) | < ± 0.5 K |
| | Temperature calibration range | ± 3.0 K |
| | Settings and display resolution | |
| | Setpoints | 0.5 °C (1 °F) |
| | Current temperature value displayed | 0.5 °C (1 °F) |
| | Operation | IEC 60721-3-3 |
| | Climatic conditions | Class 3K5 |
| | Temperature | 0...50 °C (32...122 °F) |
| Humidity | <95% r.h. | |
| Standards and directives | Transport | IEC 60721-3-2 |
| | Climatic conditions | Class 2K3 |
| | Temperature | -25...60 °C (-77...140 °F) |
| | Humidity | <95% r.h. |
| | Mechanical conditions | Class 2M2 |
| | Storage | IEC 60721-3-1 |
| | Climatic conditions | Class 1K3 |
| | Temperature | -25...60 °C (-77...140 °F) |
| | Humidity | <95% r.h. |
| | EU Conformity (CE) | CE1T3192xx ^{*)} |
|  RCM conformity | CE1T3192en C1 | |
| Safety class | III as per EN 60730-1 | |
| Pollution class | Normal | |
| Degree of protection of housing | IP30 as per EN 60529 | |
| Environmental compatibility | The product's Environmental Declaration CE1E3181 or A6V10733828 ^{*)} contains data on environmentally compatible product design and assessments (RoHS compliance, materials composition, packaging, environmental benefit, disposal). | |
| General | Connection terminals | Solid wires or stranded wires with ferrules 1 x 0.4...2.5 mm ² or 2 x 0.4...1.5 mm ² |
| | Note: For sensors on inputs X1, U1 or D1, the cable length is max. 80 m | |
| | Housing front color | RAL 9003 white |
| | Weight without/with packaging | 0.237 kg/0.360 kg |
| | *) Documents can be downloaded from http://siemens.com/bt/download | |

Reference documentation^{*)} Handbook for Home and Building Control – Basic Principles (www.knx.org/uk/news-press/publications/publications/)

Synco CE1P3127 Communication via the KNX bus for Synco 700, 900, and RXB/RXL
 Basic Documentation
 DESIGO CM1Y9775 DESIGO RXB integration – S-Mode
 CM1Y9776 DESIGO RXB/RXL integration – individual addressing
 CM1Y9777 Third-party integration
 CM1Y9778 Synco integration
 CM1Y9779 Working with ETS

*) Documents can be downloaded from <http://siemens.com/bt/download>

Connection terminals

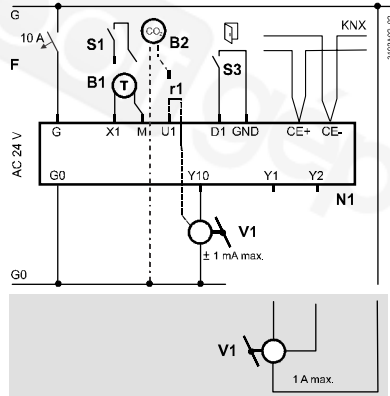


| | |
|------------|--|
| G-G0 | Operating voltage AC 24 V |
| Y10-G0 | Control output for DC 0...10 V actuator |
| Y1-G, Y2-G | Control outputs for On/Off, PWM or 3-position actuators |
| X1-M | Multifunctional input for temperature sensor (e.g. QAH11.1) or potential-free switch. Factory setting: External temperature sensor (function can be selected via P38) |
| M | Measuring neutral for sensors and switches |
| U1-G0 | DC 0...10 V input for current damper position DC 0...10 V input for CO ₂ sensor (0...2000 ppm) (RDG405KN) (Note: G0 is the measuring neutral for U1!) |
| D1-GND | Multifunctional input for potential-free switch. Factory setting: Operating mode switchover contact (function can be selected via P42) |
| CE+ | KNX data + |
| CE- | KNX data – |

Connection diagrams

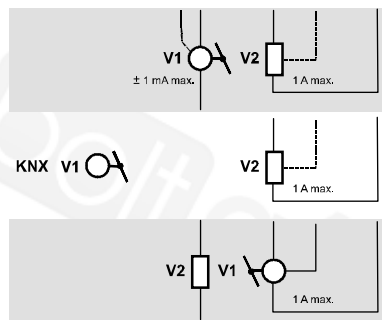
Application

Single-duct



KNX V1

Single-duct with electric heater, radiator or heating/cooling valve



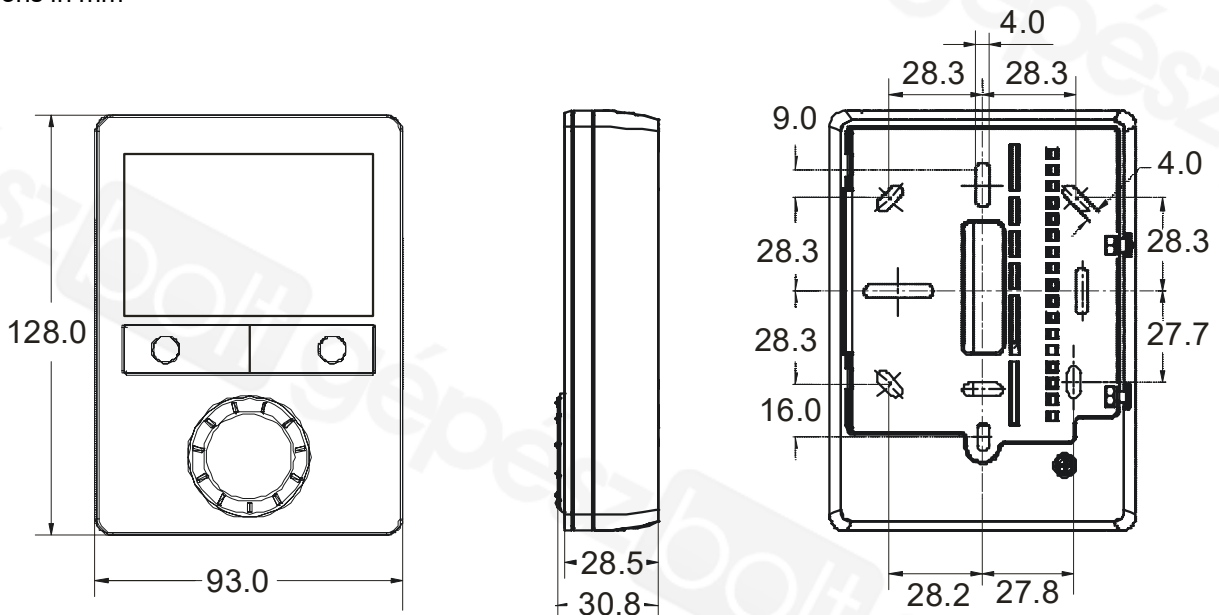
KNX V1

KNX V1

- N1 Room thermostat RDG400KN, RDG405KN
- V1 Damper actuator or VAV compact controller: DC 0...10 V or 3-position, VAV compact controller KNX
- V2 Electric heater, radiator or heating/cooling valve: DC 0...10 V, On/Off, PWM or 3-position
- S1 Switch (keycard, window contact, etc.)
- U1 DC 0...10 V input, feedback of current air damper position
DC 0...10 V input for CO₂ sensor (0...2000 ppm) (RDG405KN)
- S3 Switch at SELV input (keycard, window contact)
- B1 Temperature sensor (return air temperature, external room temperature, changeover sensor, etc.)
- B2 CO₂ sensor (0...2000 ppm) (RDG405KN)
- CE+ KNX data +
- CE- KNX data -

Dimensions

Dimensions in mm



Issued by
Siemens Switzerland Ltd
Smart Infrastructure
Global Headquarters
Theilerstrasse 1a
CH-6300 Zug
Tel. +41 58 724 2424
www.siemens.com/buildingtechnologies

© Siemens Switzerland Ltd, 2010 - 2019
Technical specifications and availability subject to change without notice.