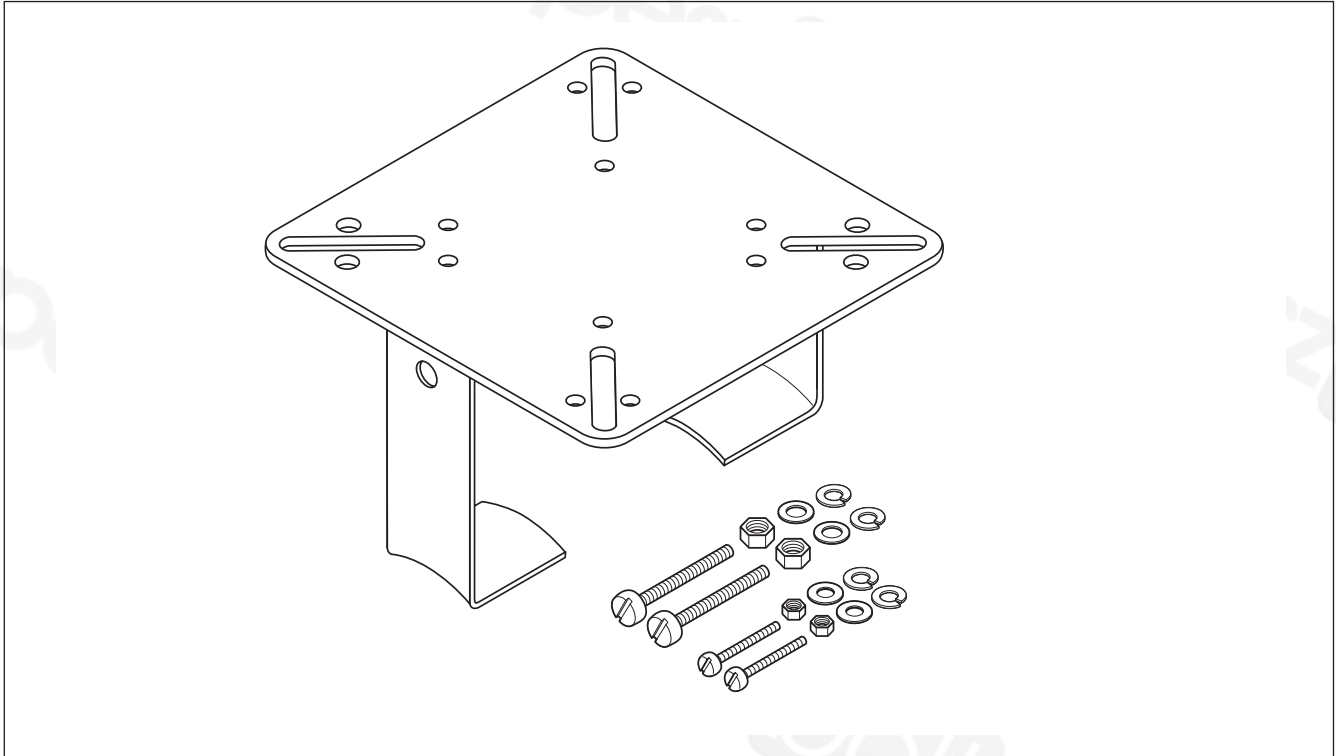


Support bracket



Kit contents

1 support bracket	
1 pack containing	2 M4 x 20 cheesehead screw 2 M4 nuts 2 M4 plain washers 2 M4 spring lock washers 2 M6 x 30 slotted cheesehead screws 2 M6 nuts 2 M6 plain washers 2 M6 spring lock washers

Support bracket

Material	2 mm sheet stainless steel
The support bracket is a two piece construction that is spotwelded together	

Surface treatment

Chemically passivated

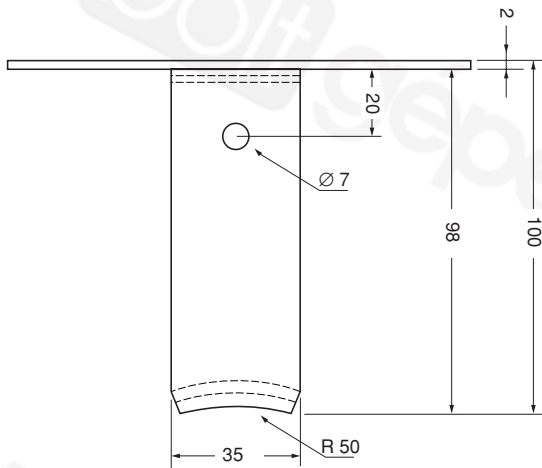
Dimensions

Dimensions are shown on the drawing below with the tolerance of ± 0.5 mm.

Ordering details

Part Description	SB-111
PN	579796-000
Pack size	1 per pack
Requires two pipe straps (not supplied)	Refer to page 150 (Pipe straps)

Dimensions (in mm)



Application	SB-111
AT-TS-13	•
AT-TS-14	•
JB-16-02	•
JB-81	•
JB-82	•
JB-EX-04	•
JB-EX-20	•
JB-EX-27	•
JB-EX-28	•
JBU-100-E	•
JBU-100-EP	•
LL-LIM-P-01	•
MONI-PT100-EXE	•
MONI-PT100-NH	•
MONI-PT100-4/20MA	•
RAYSTAT-CONTROL-10	•
RAYSTAT-ECO-10	•
RAYSTAT-EX-02	•
RAYSTAT-EX-03	•
RAYSTAT-EX-04	•

