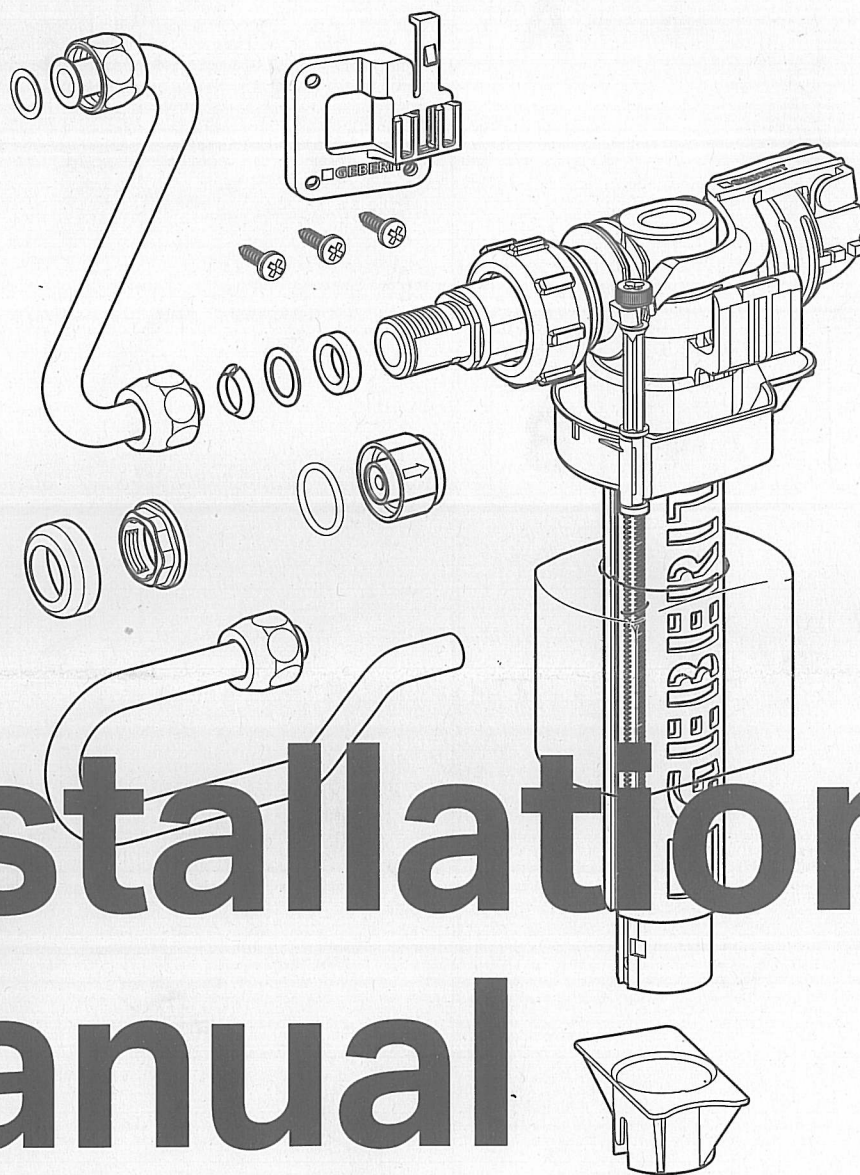


Typ 380

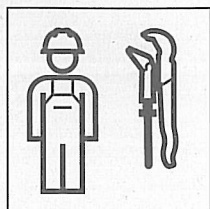
■ GEBERIT

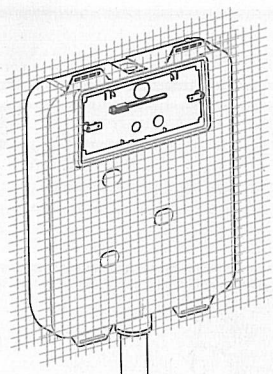


# Installation Manual

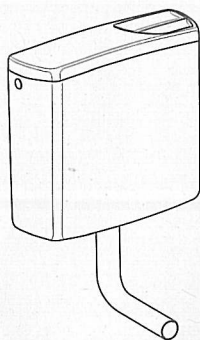
Montageanleitung  
Instructions de montage  
Istruzioni per il montaggio

**KNOW  
HOW  
INSTALLED**

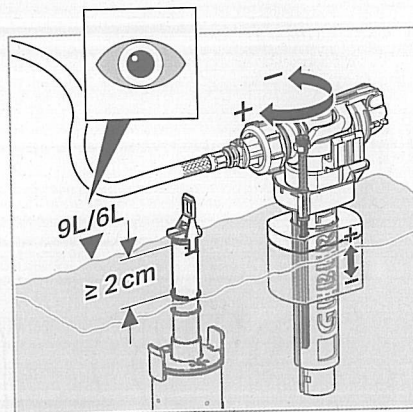




**A**



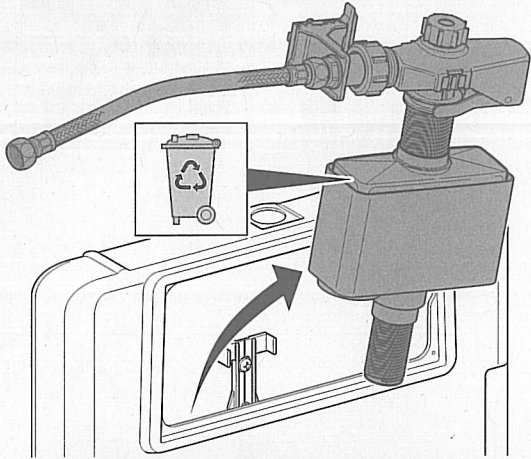
**B**



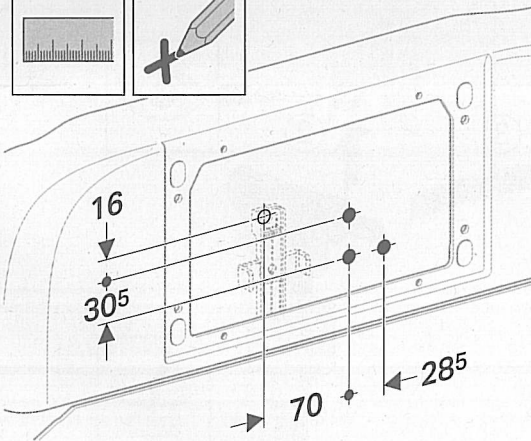
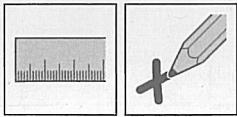


**A**

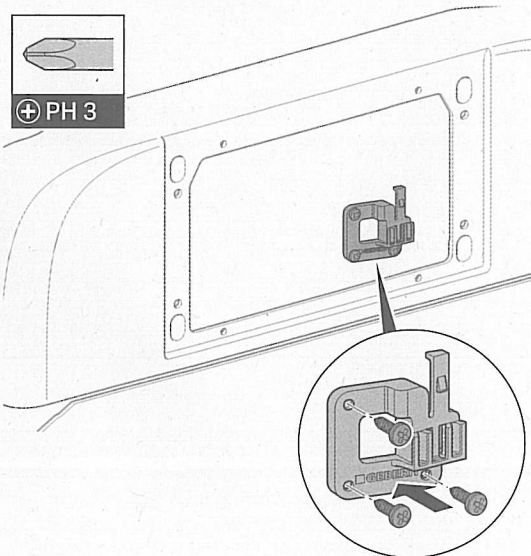
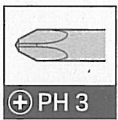
**1**



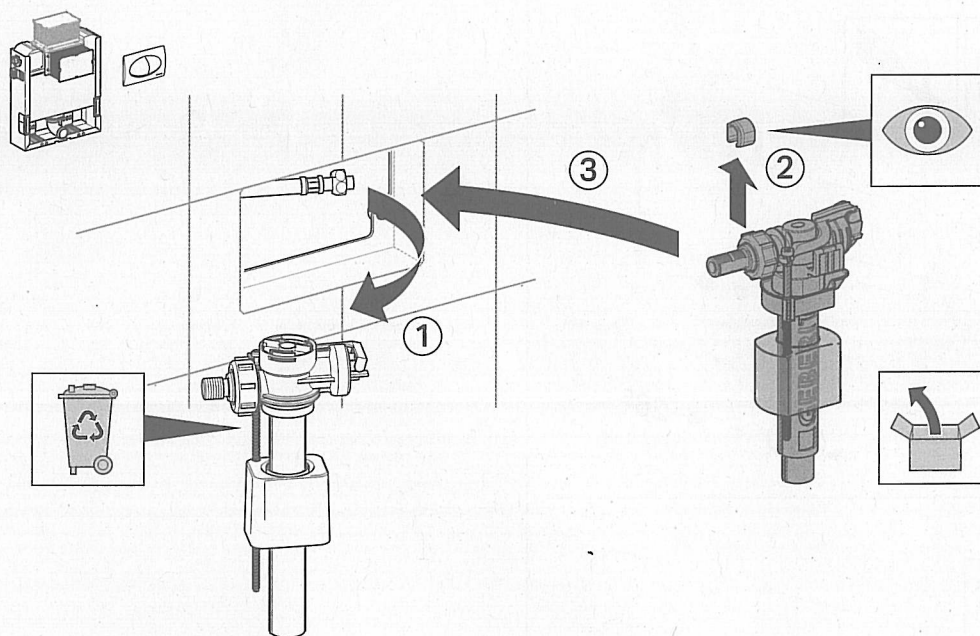
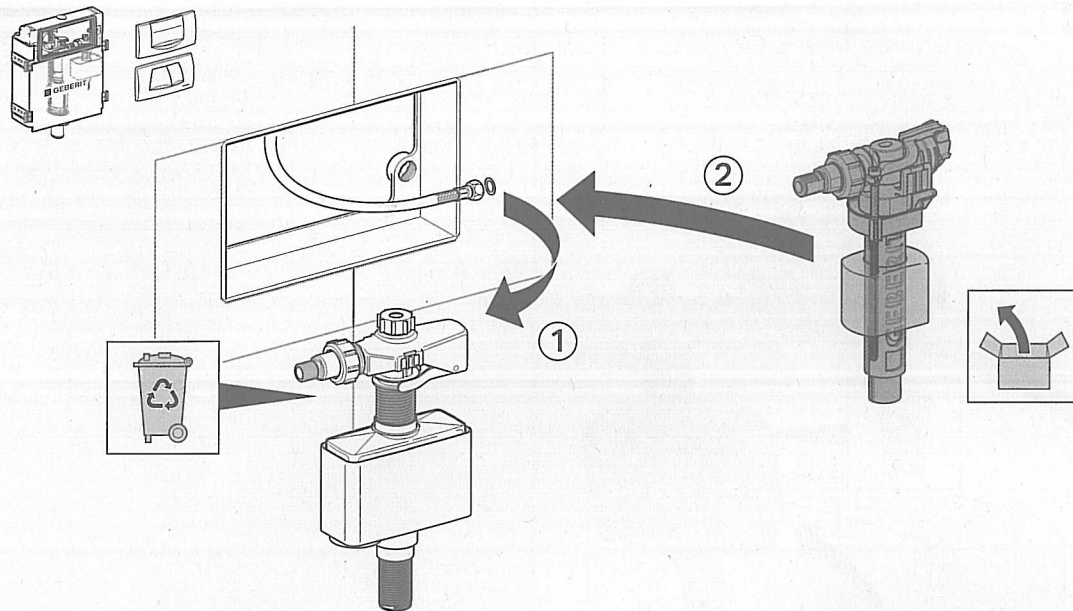
**2**



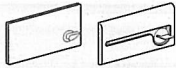
**3**



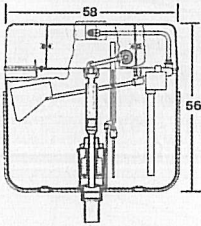




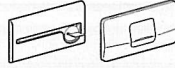
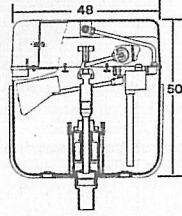




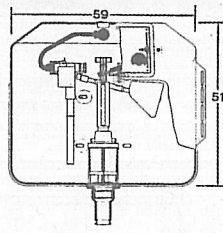
10.600/14 ltr.  
1975 - 1978  
PA I/IX 1886/I



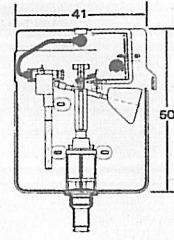
10.500/9 ltr.  
1970 - 1974  
PA I/IX 1884/I



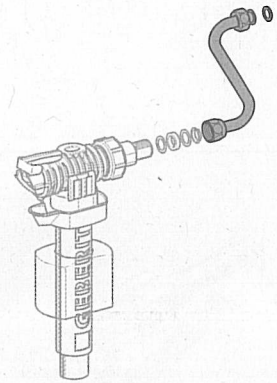
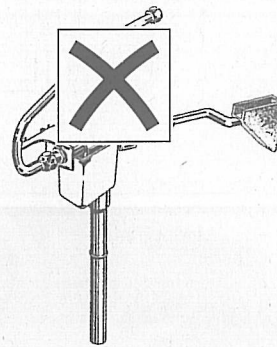
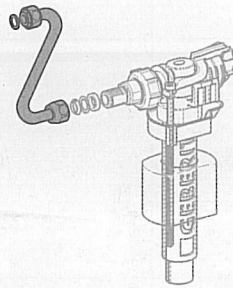
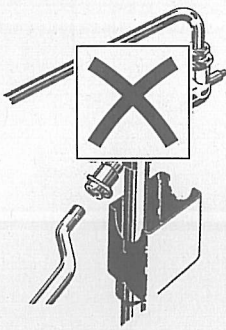
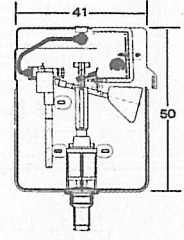
10.400/14 ltr.  
1978 - 1980  
PA I/IX 2760/I



10.800/9 ltr.  
1978 - 1980  
PA I/IX 2761/I  
1975 - 1977  
PA I/IX 2331/I



10.800/9 ltr.  
1981 - 1983(87)  
PA I/IX 2761/I



110.800/9 ltr.  
1984 - 1987  
PA I/IX 2761/I



110.800/9 ltr.  
1988 - 1998  
PA I/IX 2761/I



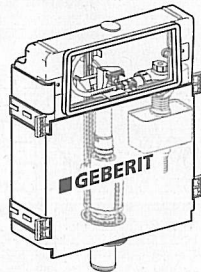
110.800/9 ltr.  
1995 - 1998  
PA I/IX 2761/I

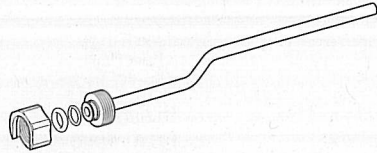


110.800/9 ltr.  
ab 1998  
PA I/IX 2761/I



110.800/9 ltr.  
ab 1998  
PA I/IX 2761/I





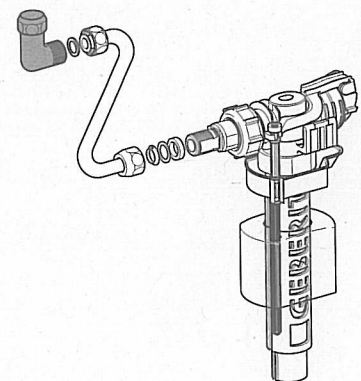
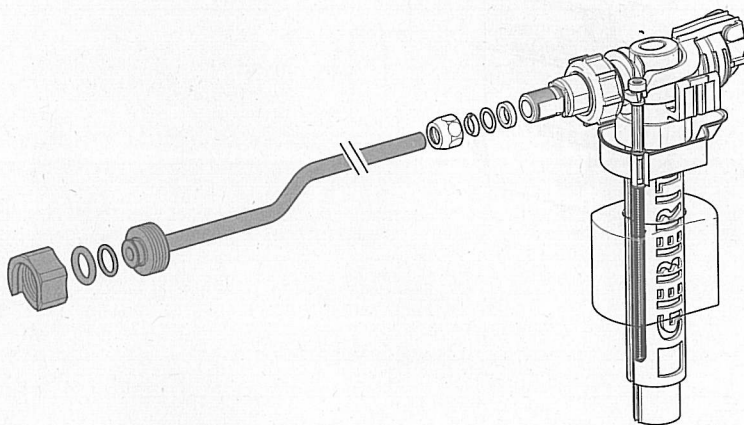
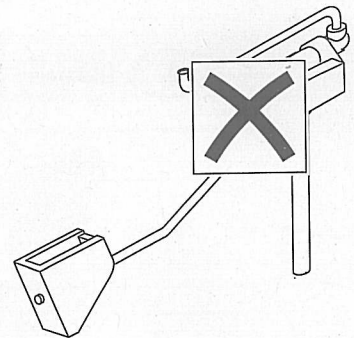
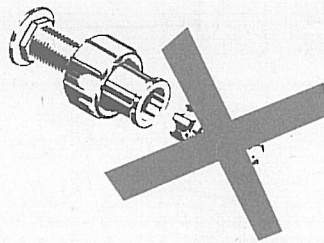
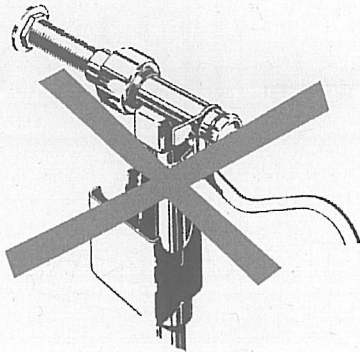
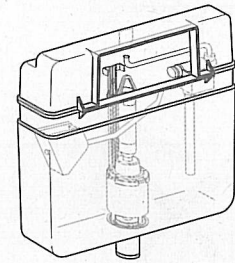
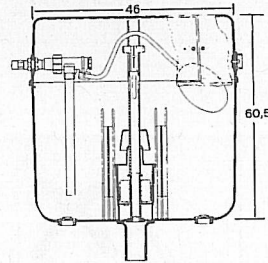
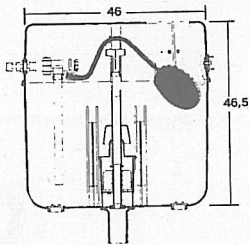
15.000/9 ltr.  
1964 - 1967  
PA I 11115

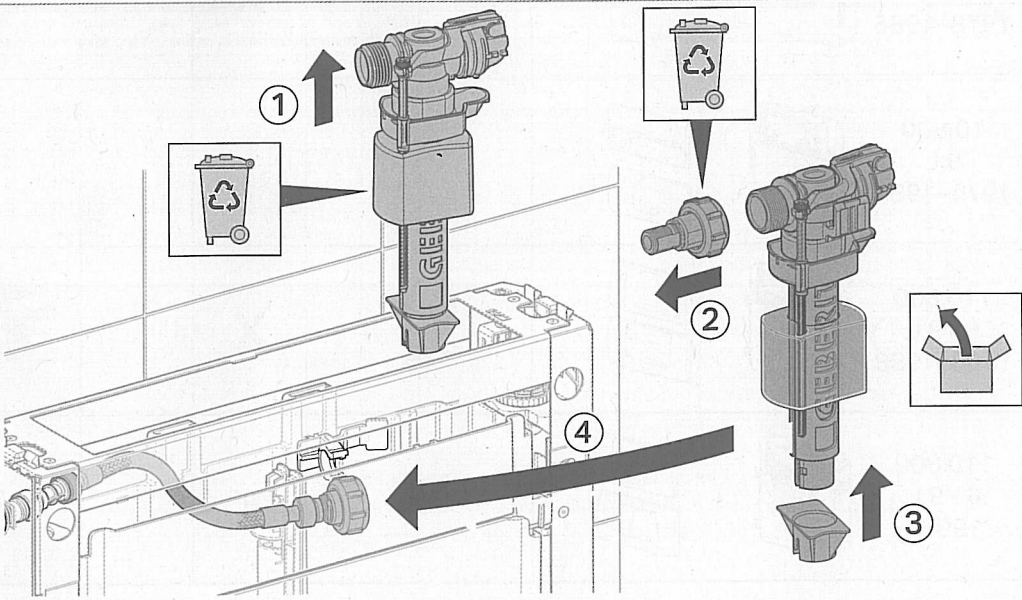
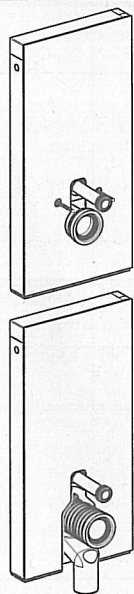
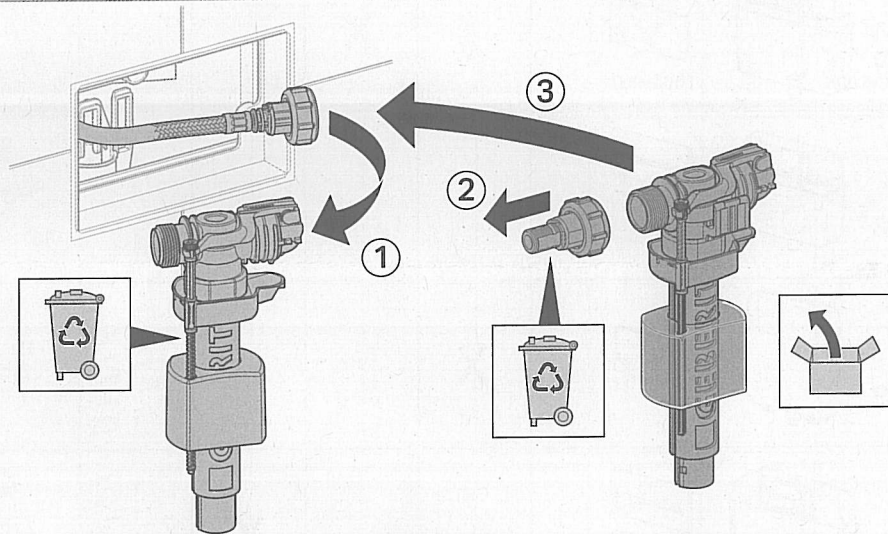
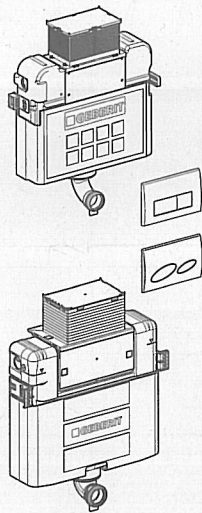
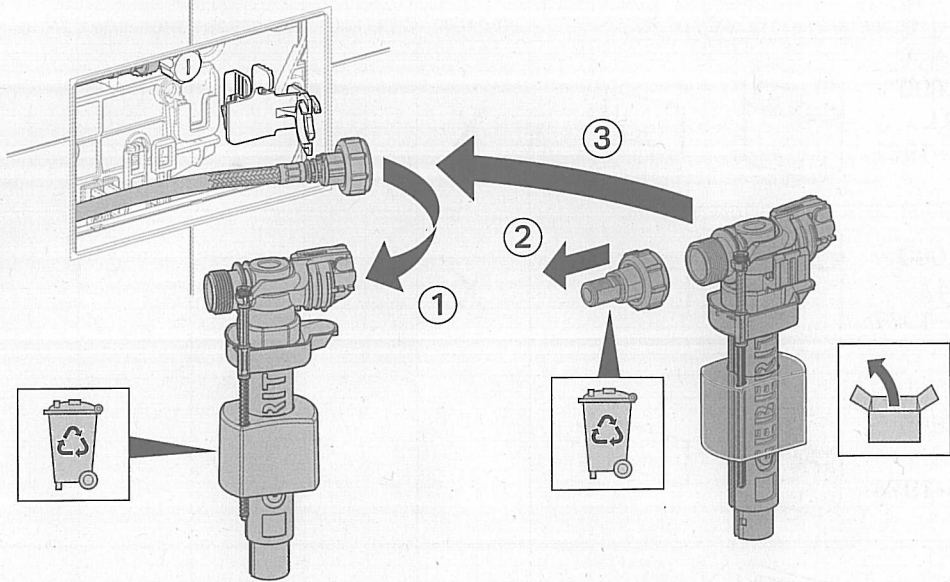
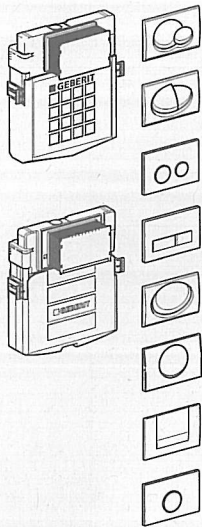


16.000/14 ltr.  
1965 - 1967


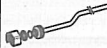



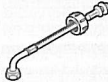



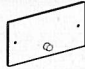
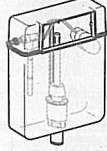






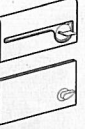
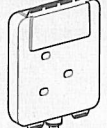

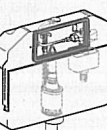
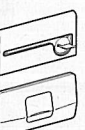
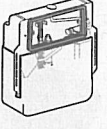
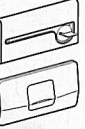
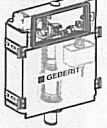

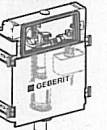




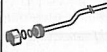



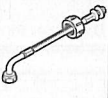


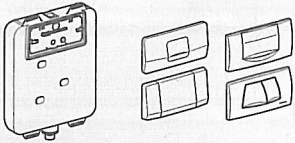
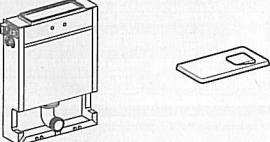
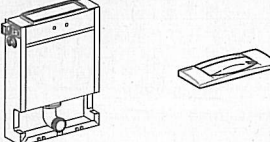
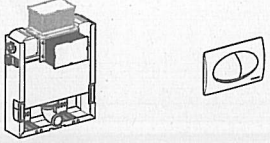
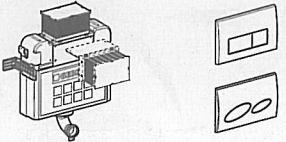
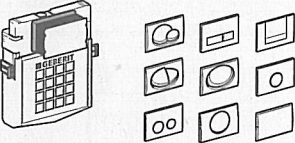
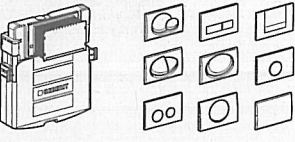
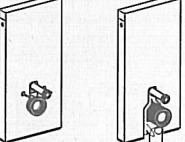
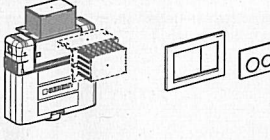
10.600/14 ltr.  
1967 - 1970  
PA I 1637



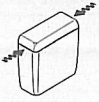




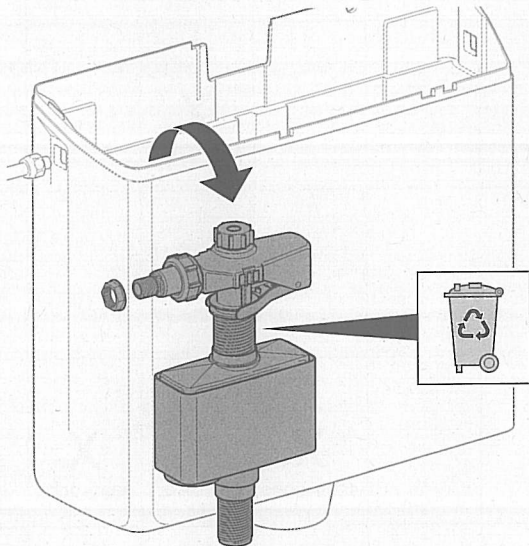
								
		240.047.00.1	240.712.00.1	240.069.00.1	240.329.00.1	240.321.00.1	240.629.00.1	240.921.00.1
15.000 9 L 1964-1967			X					
16.000 14 L 1965-1967			X					
10.500 9 L 1970-1974								
10.600 14 L 1967-1970				X				
10.600 14 L 1975-1978								
10.700 9 L 1972-1989			X					
10.400 14 L 1978-1986					X			
10.800 9 L 1975-1987								
110.800 6 - 9 L 1988-1998					X			
110.800 6 - 9 L 1998-					X			

								
		240.047.00.1	240.712.00.1	240.069.00.1	240.329.00.1	240.321.00.1	240.629.00.1	240.921.00.1
110.700 6-9 L 1988-				X				
Art. (div.) 6-9 L 1986-1994						X		
Art. (div.) 6-9 L 1995-1998						X		
Artline 6-9 L 1999-2006					X 1999-2001		X 2002-2006	
UP200 6-9 L 2006-2014							X	
UP300 6-9 L 2001-2008								X
Sigma 12 cm 6-9 L 2008-								X
Monolith 4,5-6 L 2010-								
Omega 12 cm 6-9 L 2014-							X	

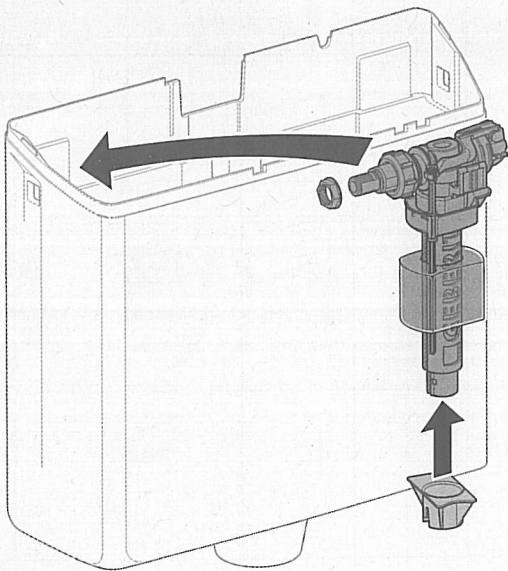
# B



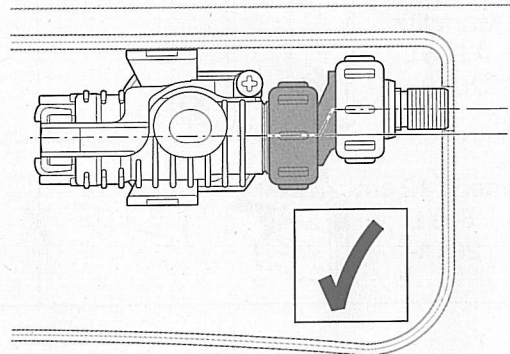
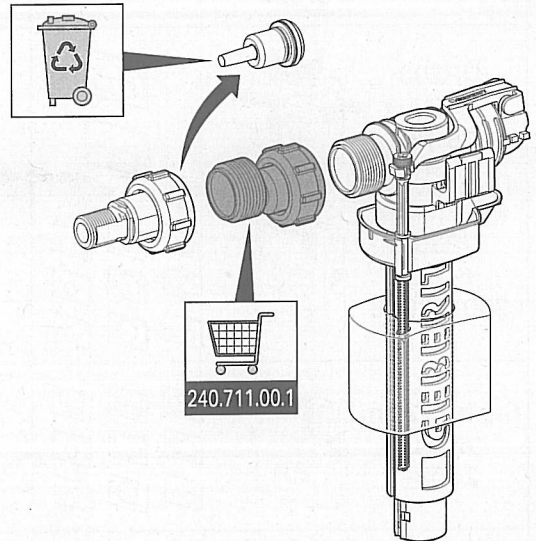
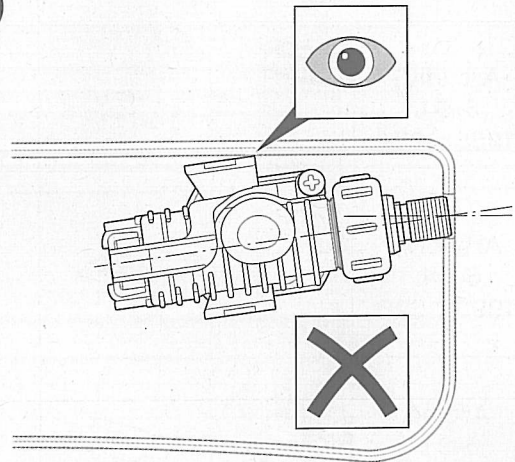
1



2

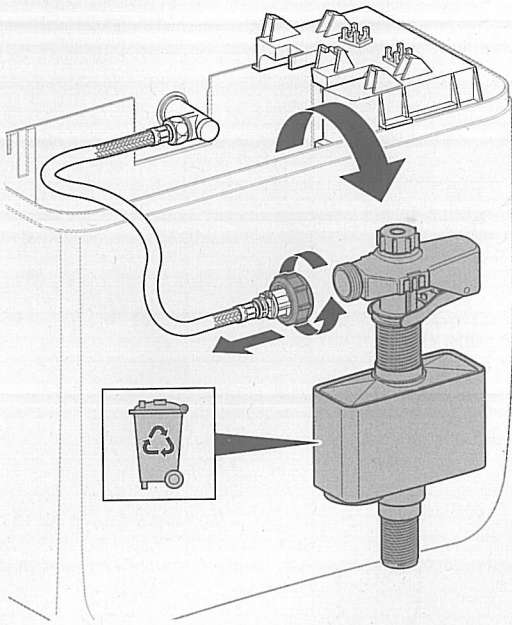


i

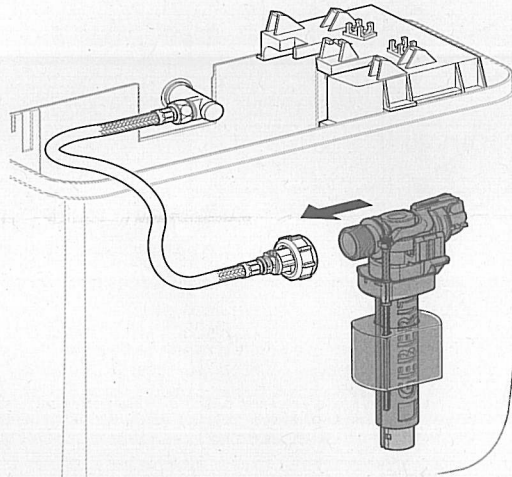




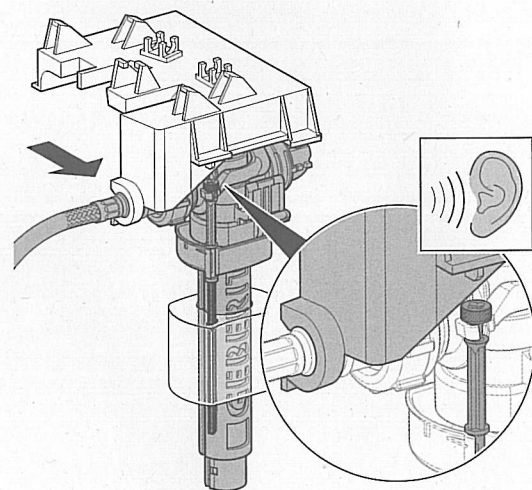
1



2

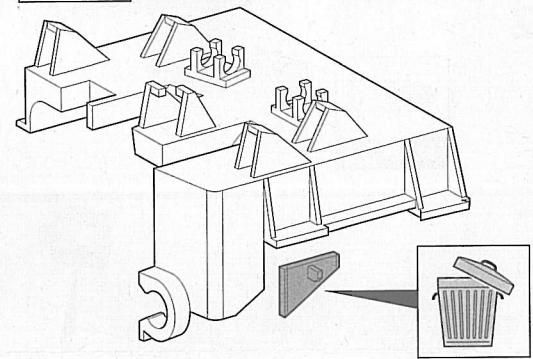
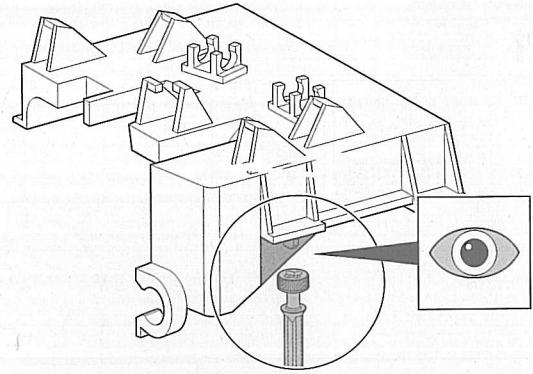


3

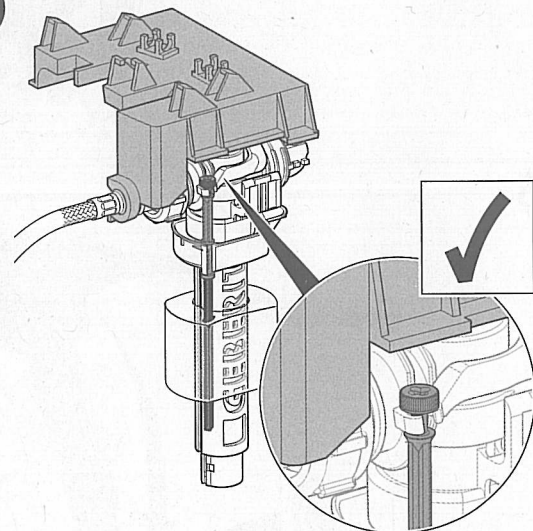


**i**

02.1997-06.1999

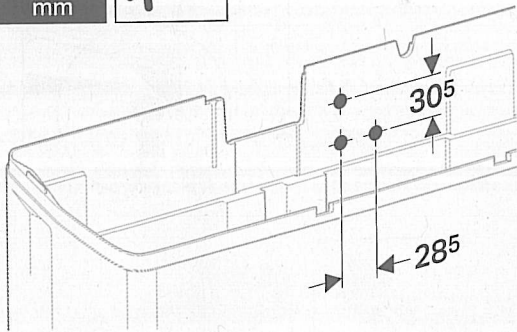
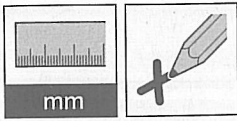


**i**

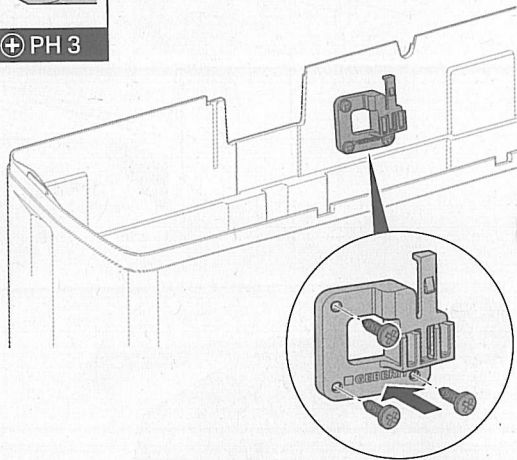
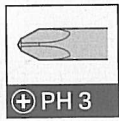




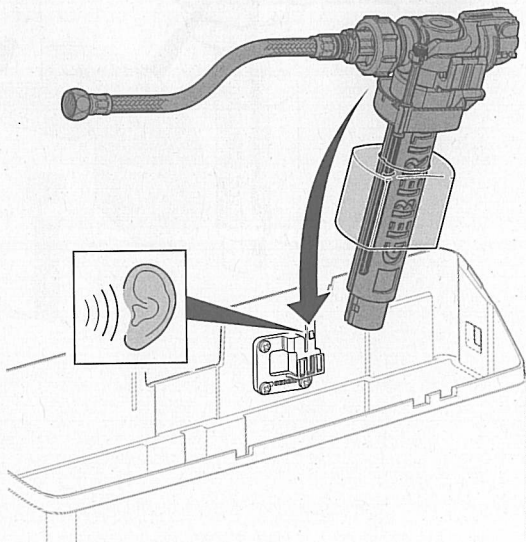
1




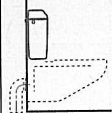

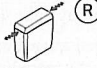
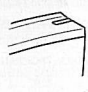
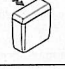

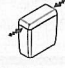

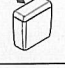

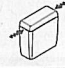



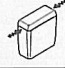


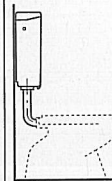



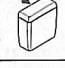



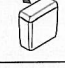
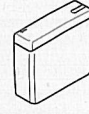
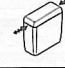
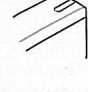
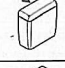



2


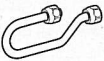

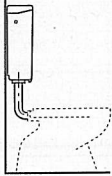
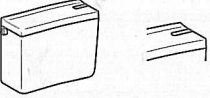
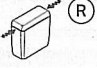


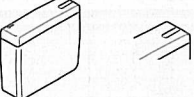
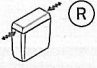


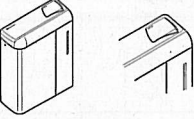


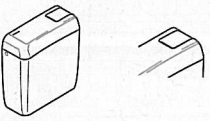






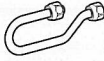

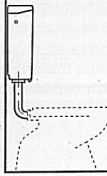
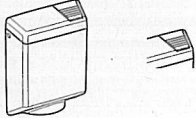


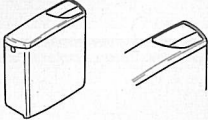


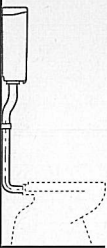
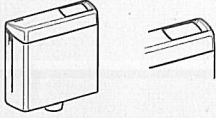


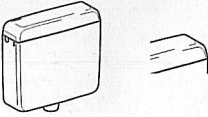


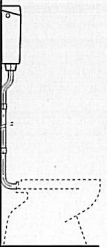
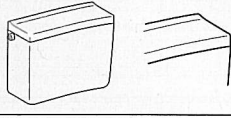
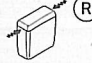

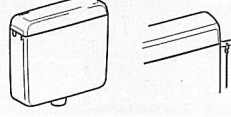
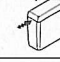
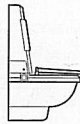
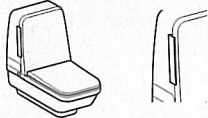

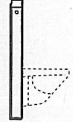
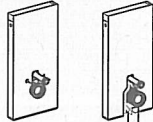
3



					
			240.017.00.1	240.711.00.1	
	21.000/21.100 	 (R)		X (R)	
			X		
	121.800 				
					
	128.0xx 				
					
	128.3xx 				
					
		10.000/10.100 			
					
10.200 					
			X		
20.000/20.300 				X	
					
					



				
			240.017.00.1	240.711.00.1
	25.000			
				X
	25.920			
				X
	124.xxx			
				
	129.xxx			
				
				

				
			240.017.00.1	240.711.00.1
	130.000 			
				
	140.3xx 			
				
	123.xxx 			
				
	127.000 			
				
	22.000 	 (R)		X (R)
			X	
	123.7xx 			
	DWC 7000 			
	Monolith 			

**Geberit International AG**  
**Schachenstrasse 77**  
**CH-8645 Jona**

**T +41 55 221 63 00**  
**F +41 55 221 63 16**  
**documentation@geberit.com**

**→ [www.geberit.com](http://www.geberit.com)**