



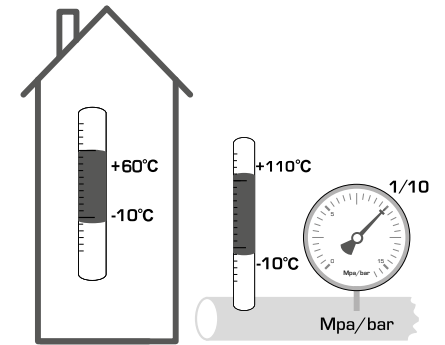
SERIES VRH130

ESBE
NO.1 IN HYDRONIC SYSTEM CONTROL



Series VRH130

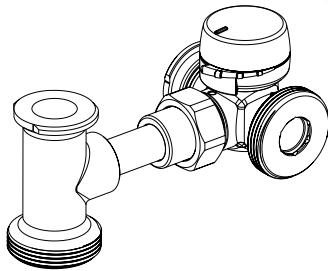
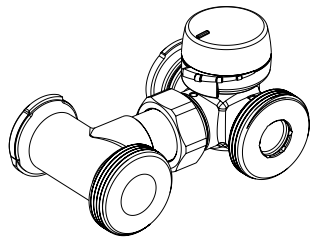
CE
PED 2014/68/EU, article 4.3



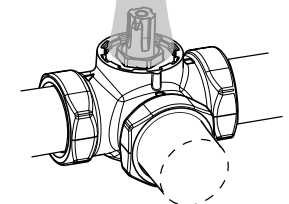
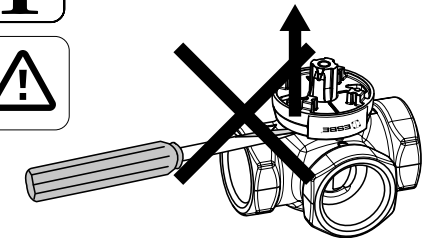
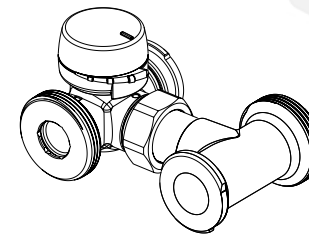
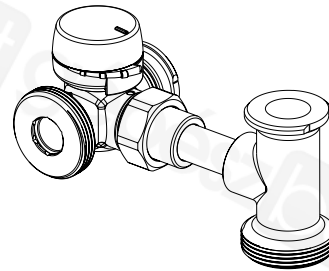
Mtrl.nr: 9814 08 48 • Ritn.nr: 7420 utg. B • Rev. 1605

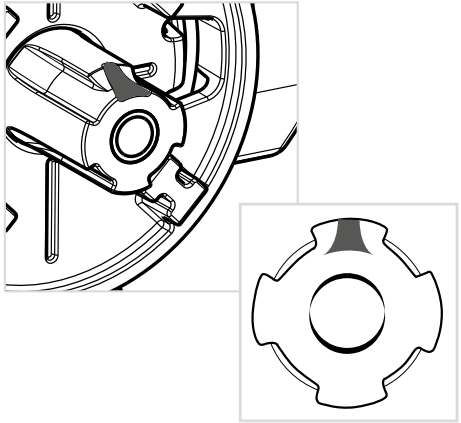
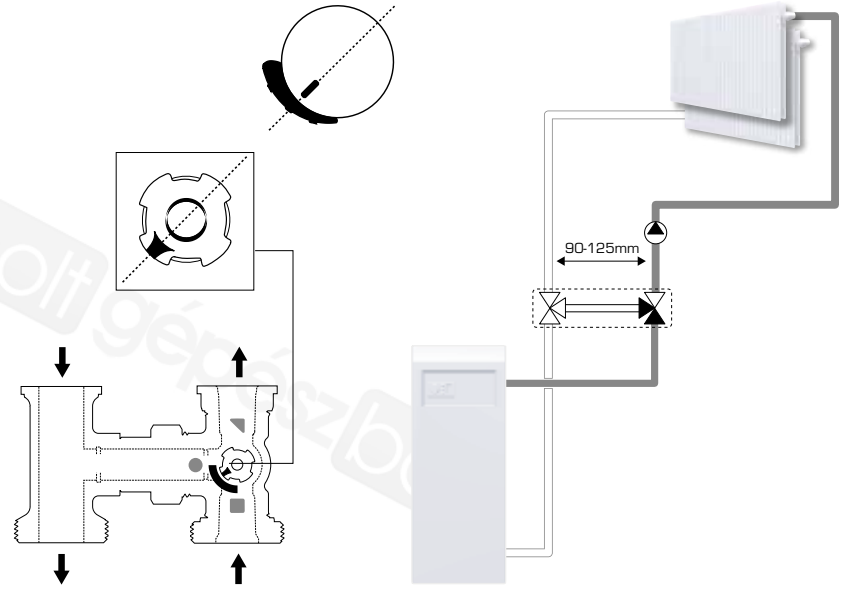
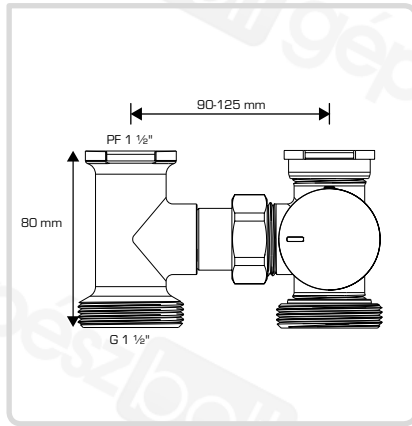
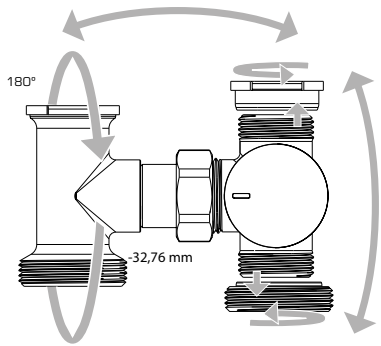
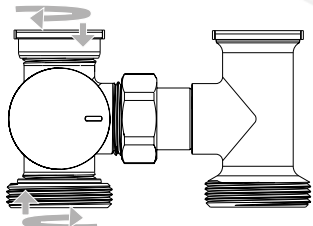


A



B



i**A****B****1****2****B**