

CONNECTION KIT SERIES KTD100

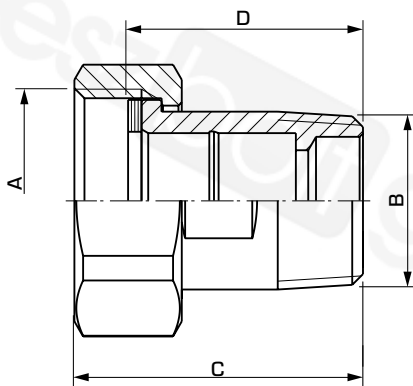


KTD100
External thread

Connection kit with external thread for use on externally threaded valves.

VERSIONS

Each package contains three of each of connection pieces, nuts and gaskets.



SUITABLE VALVES

The connection kit series KTD100 may most easily be fitted with ESBE mixing valves:

- Series VRG132
- Series VRG142
- Series VRG232
- Series VRG332
- Series VRB142

TECHNICAL DATA

Pressure class: _____ PN10
 Media temperature: _____ max. +180°C
 _____ min. -20°C
 Connection - nipple design: _____ acc. to EN 1254-4
 _____ Internal thread (G), ISO 228/1
 _____ External thread (R), EN 10226-1

Material

Nut: _____ Brass CW 614N
 Connection piece: _____ Dezincification resistant brass, DZR*
 Gasket: _____ Klingsil C-4400

* Suitable for drinking water applications

PED 2014/68/EU, article 4.3

SERIES KTD112 EXTERNAL THREAD (3 CONNECTIONS/PACKAGE)

Art. No.	Reference	Connection		Dimension		Note	Weight [kg]
		A	B	C	D		
3655 17 00	KTD112	G 1"	R ¾"	43	35		0.36
3655 18 00	KTD112	G 1¼"	R 1"	48.5	40		0.63
3655 19 00	KTD112	G 1½"	R 1¼"	55.5	45		0.97
3655 20 00	KTD112	G 2"	R 1½"	62	50		1.32
3655 21 00	KTD112	G 2¼"	R 2"	68	55		2.18