



Electrical Settings



SERIES ARC300/ARC600



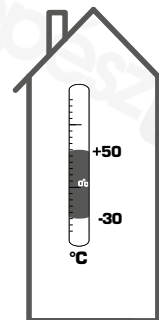
NO.1 IN HYDRONIC SYSTEM CONTROL



Series ARC300
Series ARC600

CE

LVD 2006/95/EC valid until April 19th 2016
LVD 2014/35/EU valid from April 20th 2016
EMC 2004/108/EC valid until April 19th 2016
EMC 2014/30/EU valid from April 20th 2016
RoHS 2011/65/EU



Series ARC300

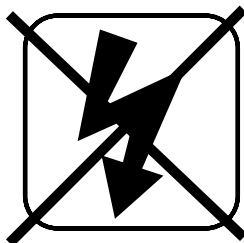


Series ARC600

Mtrl.nr: 9814 09 56 • Ritn.nr 8467 vers. B • Rev 1810



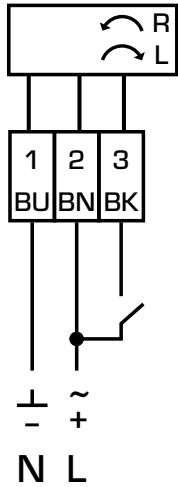
ARC300
Valve
Assembly
ARC300
Damper
Assembly



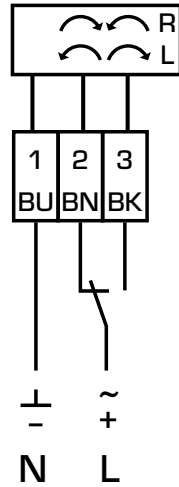
ARC361/ARC363/ARC661

**E
2A**

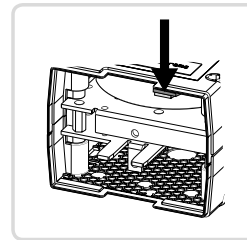
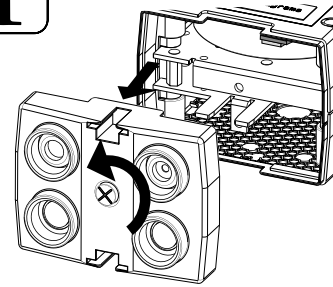
2-point



3-point

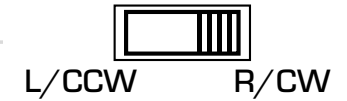


i



ARC361=85...265V AC/DC

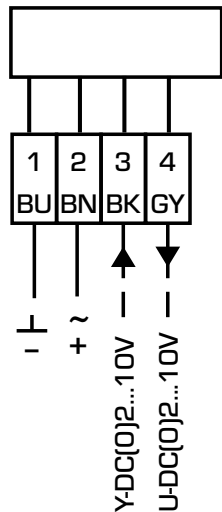
ARC363=19...29V AC/DC



R/CW=Clockwise working direction
L/CCW=Counter clockwise working direction

ARC368/ARC369/ARC669

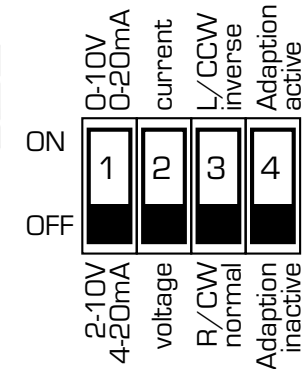
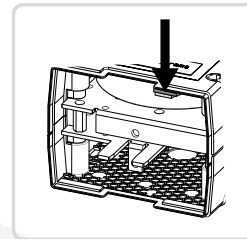
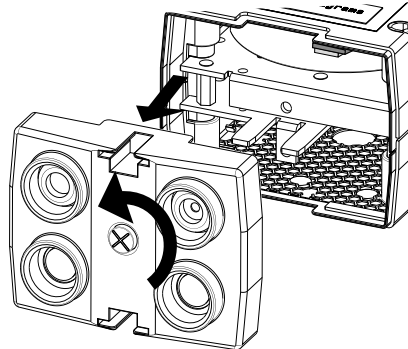
**E
2B**



AC 19...29 V
DC 19...29 V

Y-DC(0)2...10V
U-DC(0)2...10V

i

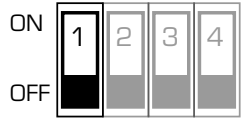


R/CW=Clockwise working direction
L/CCW=Counter clockwise working direction

ARC368/ARC369/ARC669

E 3

Y=0 - 10 V DC/0-20mA
U = 0-10 V DC

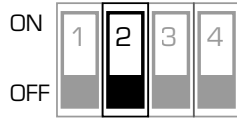


Y = 2 - 10 V DC/4-20mA



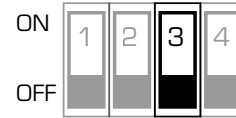
U = 2 - 10 V DC

Current (mA)



Voltage (V DC)

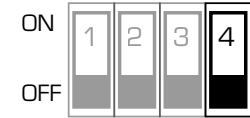
L/CCW



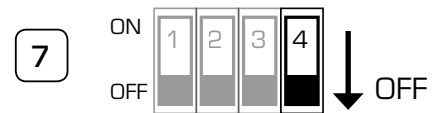
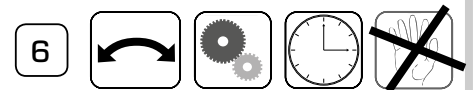
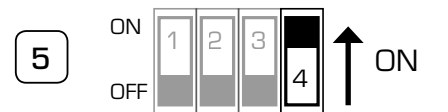
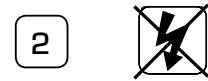
R/CW



Adaption active

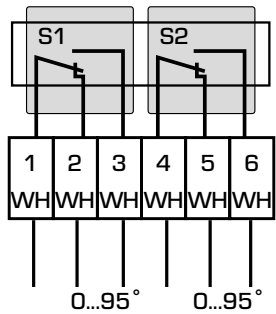


Adaption inactive

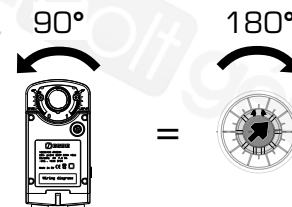
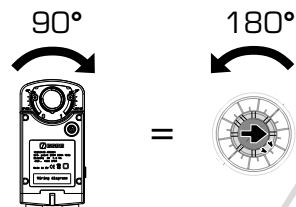
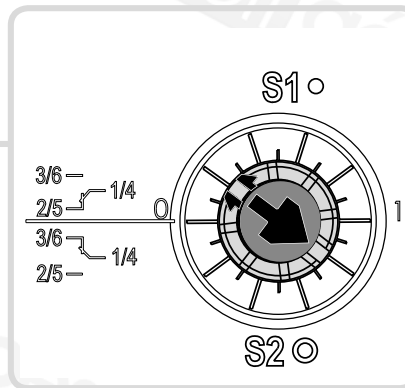
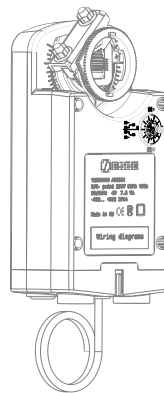


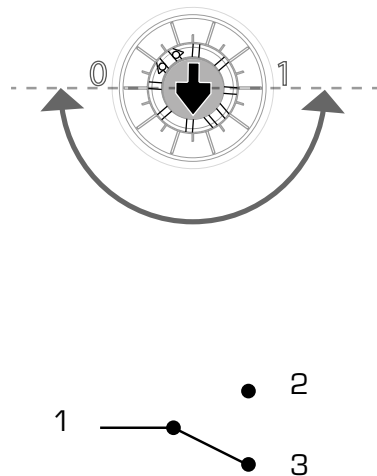
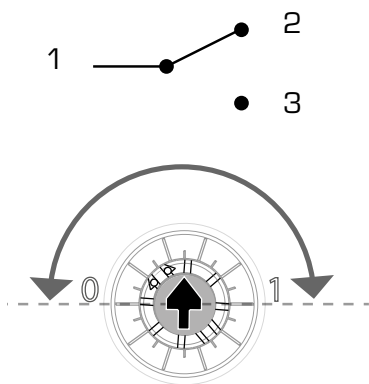
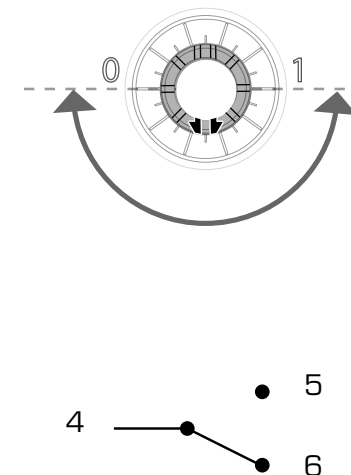
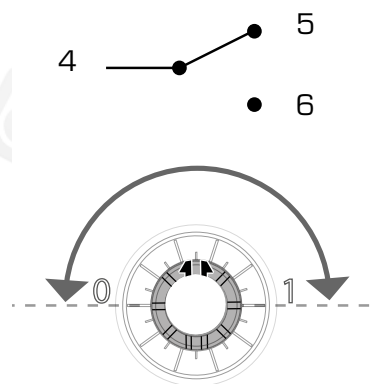
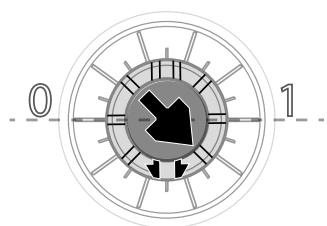
ARC368 Auxiliary switch S1/S2

E 4a



i

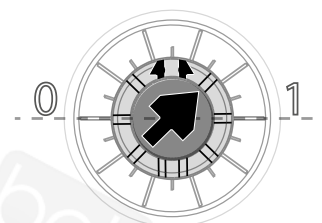


S1**S2****Example R/CW operation****Example L/CCW operation****E 4b**

= 0° (Closed position)

Ex. **S1** 0° - 20° 1 — 3
 20° - 90° 1 — 2

Ex. **S2** 0° - 45° 4 — 6
 45° - 90° 4 — 5

E 4c

= 0° (Closed position)

Ex. **S1** 0° - 20° 1 — 2
 20° - 90° 1 — 3

Ex. **S2** 0° - 45° 4 — 5
 45° - 90° 4 — 6

All examples are general representations